

## Adding Simple-n-Easy Lighting Control to Honeywell Security Panels

Simply Automated has introduced a pre-configured simple-n-easy lighting control line of products that can be integrated with our Honeywell security panels with voltage trigger or dry contact closure outputs.

- No computer programming is required.
- Ready to use out of the box.
- Simple plug-n-play installation. 1-2-3 Done.
- Utilizes powerful, ultra-reliable UPB Powerline technology.
- The following table shows the most current Honeywell security panels and their limitations:

Panel Type	Maximum No. Of		No. of Programmable Functions
	4204's	Voltage Trigger	
Vista-10p	1	2	4
Vista-15p	2	2	24
Vista-20p	4	2	48
Vista-32fb	Rev. 1 = 8*	See Panel II's **	Rev. 1 = 32, Also 1 on board relay
	Rev. 2 <sup>+</sup> = 15*	See Panel II's **	Rev. 2 <sup>+</sup> = 96, Also 1 on board relay
Vista-40	8	See Panel II's **	8
Vista-50p	4	See Panel II's **	16
Vista-128b	Rev. 1 = 8*	See Panel II's **	Rev. 1 = 32
	Rev. 2 <sup>+</sup> = 15*	See Panel II's **	Rev. 2 <sup>+</sup> - 96
Vista-128bp	15*	See Panel II's **	96
Vista-128fb	Rev. 1 = 8*	See Panel II's **	Rev. 1 = 32, Also 1 on board relay
	Rev. 3 <sup>+</sup> = 15*	See Panel II's **	Rev. 3 <sup>+</sup> = 96, Also 1 on board relay
Vista-128fbp	15*	See Panel II's **	96, Also 1 on board relay
Vista-250bp	15*	See Panel II's **	96, Also 1 on board relay

\* - In Addition to the 4204 Relay Module, which only supports up to 60 relays, you can utilize the 4101sn serial module.

\*\* - Each Panel Support Different Trigger Functions, Refer to the panels Installation instructions for more details.

### Hardware Needed:

#### Lamp Starter Kit (PN: DKIT-03SP):

Includes 2 Lamp Modules and an Input Output Module



#### Dimmer Starter Kit (PN: DKIT-04SP):

Includes 2 Dimmer modules and 1 I/O module



### How it works:

Because there is no direct integration with Honeywell security panels and Simply-Automated lighting products, a 4204/4101sn relay module/s and/or a Positive or Negative voltage trigger is required to activate the three Inputs on the Input/Output Module.

## Pre-Configured Input 1:

- Low voltage input (Only).
- Turns on one lamp module from DKIT-03SP (or one dimmer from DKIT-04SP) when trigger is enabled.
- Turns off one lamp module from DKIT-03SP (or one dimmer from DKIT-04SP) when trigger is disabled.

Used for delay entry/exit (lights on for entry, off for exit), arm/disarm acknowledgement, door strike or motion sensor interface. Installer needs to program security panel for each trigger interface. (Provide 0 Volt 'off' or 4 Volt AC/DC min to 40 Volt AC/DC Maximum 'on' trigger) from security panel connect to input terminals 6/7 of the I/O Module.

## Pre-Configured Input 2:

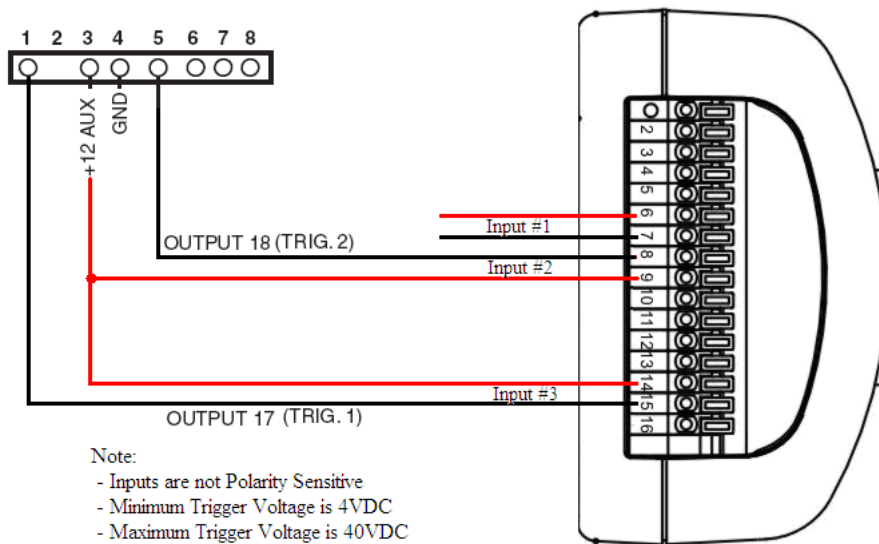
- Low voltage or contact closure input.
- Turns on both lights and flashes when triggered is enabled.
- Turns off lights and stops flashing dimmers when trigger is disabled. Used for fire, intrusion or panic alarms.
- Installer needs to program security panel for alarm type and trigger.
- Low voltage wires (Provide 0 Volt 'off' or 4 Volt AC/DC min to 40 Volt AC/DC Maximum 'on' trigger) from security panel connect to input terminals 8/9, or contact closure wires (provide open – 'off' or closed – 'on' trigger) connect to input terminals 9/10 of the I/O module.

## Pre-Configured Input 3:

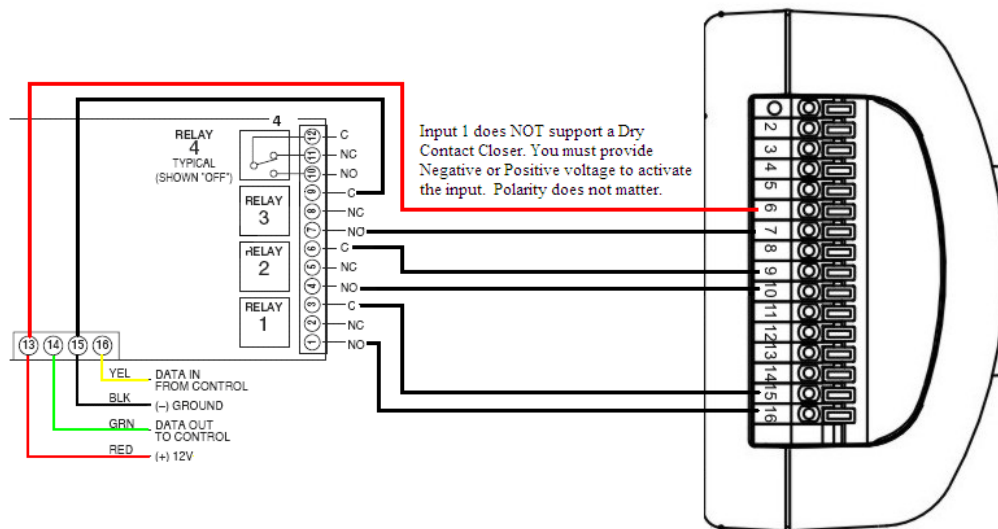
- Low voltage or contact closure input.
- Turns on both lights when trigger is enabled.
- Turns off both lights when trigger is disabled.

Used for fire, intrusion or panic alarms. Installer needs to program security panel for alarm type and trigger. Low voltage wires (provide 0 Volt 'off' or 4 Volt AC/DC min to 40 Volt AC/DC Maximum 'on' trigger) from security panel connect to input terminals 14/15, or contact closure wires (provide open – 'off' or closed – 'on' trigger) connect to input terminals 15/16 of the I/O Module.

Using the voltage triggers (20p series controls):



## Using a Contact Closer:



## Programming:

Each Input on the I/O module can be program based on the any event that is set up in your Relay Programming section of your security panel. Each Input will supply a different output. Refer to the Pre-Configured Inputs Section above when considering your lighting application.

### Example:

I want to flash both lights on any burglar alarm.

- You will program the panel to activate on a Start Zone Type of 33 Any Burglar Alarm
- Stop on Disarm Zone Type 22.
- The next step is to assign it to a relay or voltage trigger.
- After the programming is done test to confirm that the relay module and/or voltage trigger has toggled.
- Wire the relay or voltage trigger to input #2 since it is predefined to flash both lights when activated.

When using Honeywell security panels to activate the Simply-Automated Input/Output module there are a couple things to take into consideration:

1. Activating the input does not directly control a light; refer to the Pre-Configured Inputs Section above.
2. Each panel is limited to the # of Out Puts it has available; refer to page 1 for compatible panels and supported outputs.

## Adding More Devices

The above document describes how to integrate the dimmer or lamp module security panel starter kits from Simply Automated with our control panels. Simply Automated has a complete line of accessories for easy expansion. Choose from additional lamp module and dimmer accessories – or lighting control/automation starter kits to allow the homeowner to create custom lighting scenes. Refer to [www.simply-automated.com](http://www.simply-automated.com) for more information.

The Following Links may be helpful:

[I/O Module Users Guide](#) or [Lamp Module Users Guide](#)



Simply-Automated, Incorporated  
 6108 Avenida Encinas, Suite B  
 Carlsbad, CA 92011 USA  
 Technical Support: [www.simply-automated.com](http://www.simply-automated.com) or 1-800-630-9234