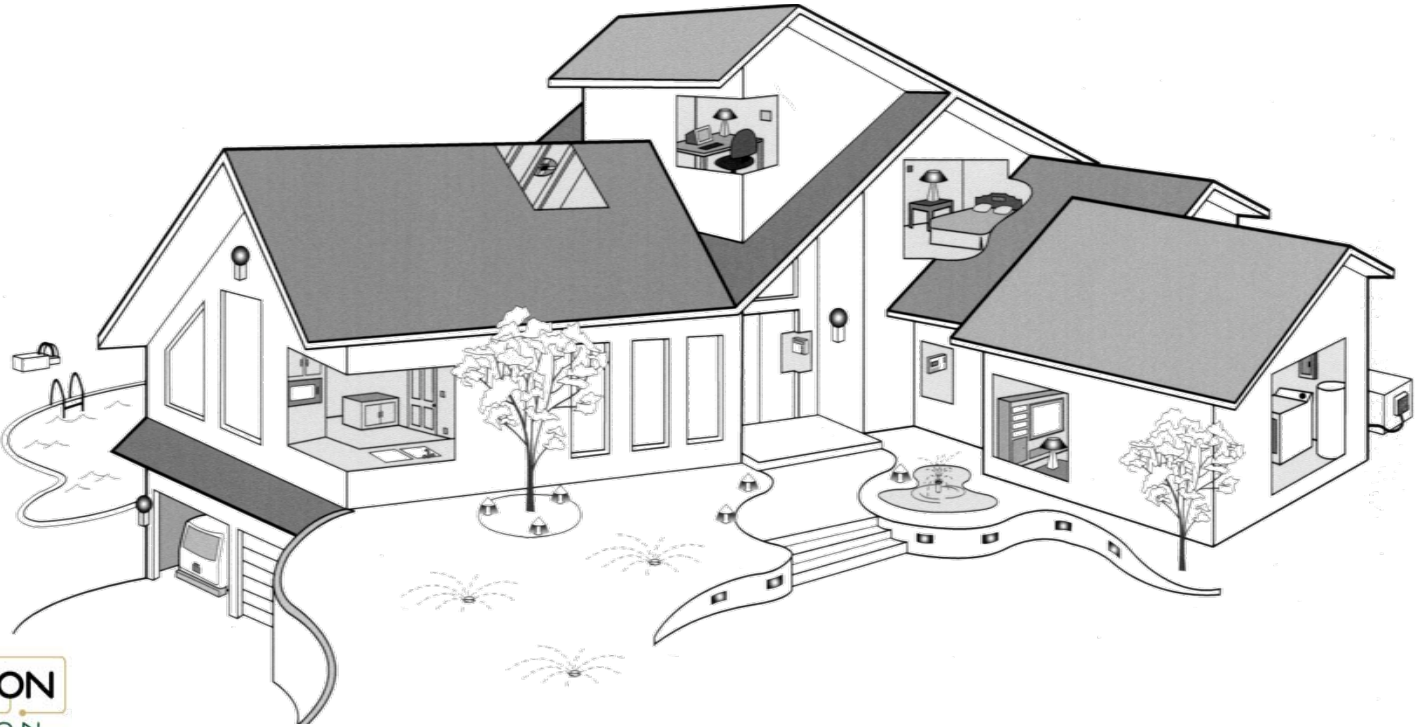


# WORTHINGTON

## UNIVERSITY • ONLINE

# Simply Automated UPB with a DSC Security System



**WORTHINGTON**  
DISTRIBUTION

Property of Worthington Distribution.  
May Not Be Reproduced Without Permission

Rev 4/24/09

# Pre-Configured Simply Smart™

Simply Automated has introduced preconfigured lighting kits.



- “Simple-n-easy”
- Ready to use lighting controls
- **No computer programming required!**
  - Simply Smart™ technology makes installation a breeze
- “No configure” expansion available

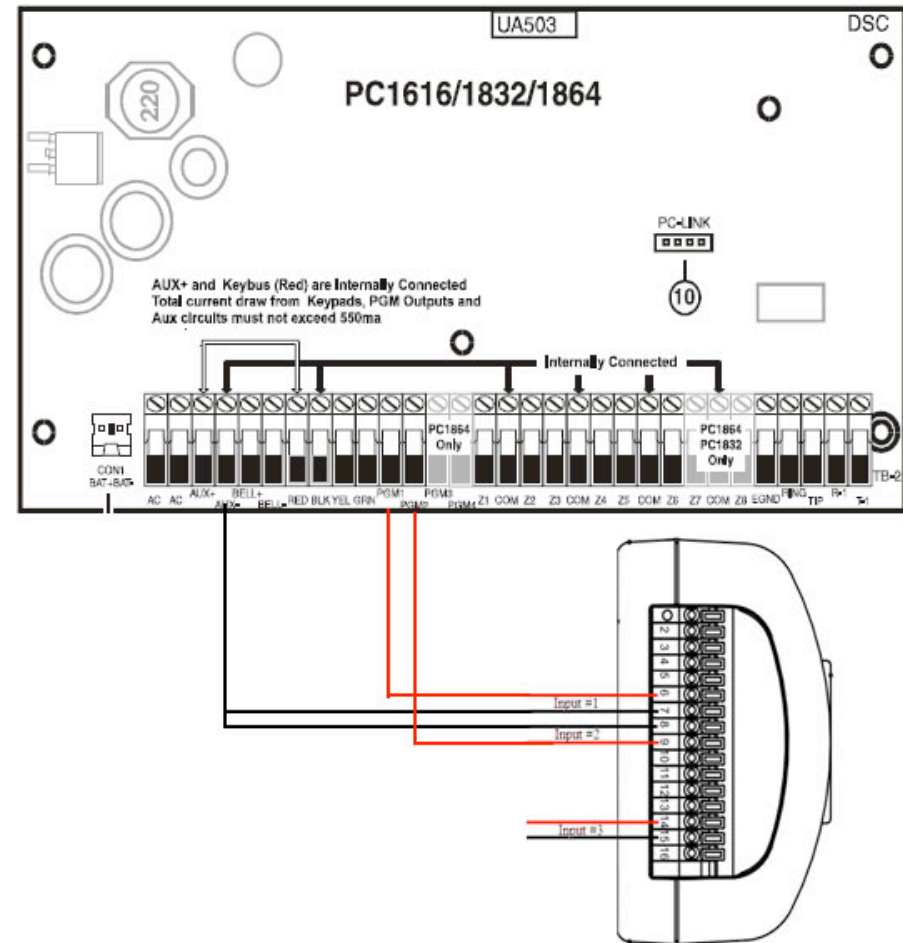
# Two Security Package Offerings

- SADKIT-04SP includes:  
I/O module and 2 in-wall dimmers
- SADKIT-03SP includes:  
I/O module and 2 lamp modules
- Expansion kits and accessories available



# Wiring to DSC PowerSeries

1. Connect PGM 1 to terminal 6 of the I/O module
2. Connect PGM 2 to terminal 9 of the I/O module
3. Connect Aux + to terminals 7 & 8 of the I/O module



# Programming the DSC

1. Enter programming ( \*8 5555)
2. Program section 009, enter 08 for "Courtesy" for PGM 1
3. Program section 010, enter 01 for "Fire and Burglary" output for PGM 2
4. Exit Programming (# ,# )
5. The DSC1864 has PGM3 & PGM 4 also available for more options.

# Output Description

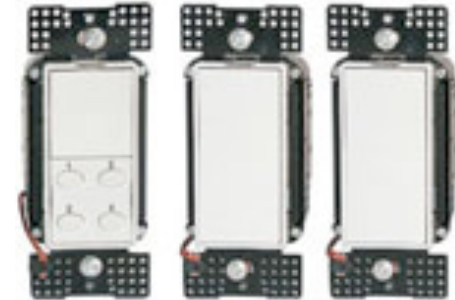
- PGM 1 output
  - The I/O module will turn on dimmer # 1 for the entry and exit times, plus 2 minutes. Then turn off.
- PGM 2 output
  - The I/O module will flash all dimmers for Burglary (on-off-on-off) until disarmed or siren timeout
  - The I/O module will flash all dimmers for Fire (on-on-off-on-on-off...) until disarmed or siren timeout

# DSC Options with Input 3

- Wire PGM 1 (programmed for Courtesy) to terminals 14 & 15 (input 3) of the I/O module. All lights will come on for the entry/exit delay, plus two minutes, then turn off
- Program one of the outputs to 02 (Armed Status) and wire it to a relay so that the relay is closed when the output is off. Wire the relay to terminals 15 & 16 of the I/O module. When the system is armed, it will send an "all off". When it is disarmed it will send an "all on".

# Expanding the Lighting-Kits

- SADKIT-1 includes: 1 deluxe dimmer with 4 scene controller, 2 in-wall dimmers
- SADKIT-02 includes: 2 plug-in dimmers with a 4-button tabletop controller
- Both kits (one each) can be added to the Security Starter kit to expand the lighting system...with NO PROGRAMMING REQUIRED.





# Expanding the Lighting-Accessory

- SAUML7 – Lamp Module
- SAUML8 – Lamp Module
- SAUS1W9- In-wall Dimmer
- SAUS1W10- In-wall Dimmer
- SAUSTP11- Tabletop Scene Control
- SAUS2W12- 1 Button dimmer with 4-button scene controller
- You may order one of each part number or kit number for a larger system...WITH NO PROGRAMMING. Do not try to use two of the same part number in one system.



SAUML7 & 8



SAUS1W9 & 10



SAUS2W12



SAUSTP11

# Expanding Farther, Timed Events

- If your automation needs grow beyond the pre-configured system, you can add modules.
- SAUCS- Controller/scheduler will allow you to turn on/off lights based on schedule. Celestial clock for sunrise and sunset times.
- Event programming is done from the TEC, so a computer is not required.



# Programming for More Expansion



- One more way to avoid using a computer for your UPB lighting system.
- The Pocket Programmer will allow you to customize and expand your Pre-configured system.
- If you must to use Upstart for some custom setting, it can be used as a PIM.