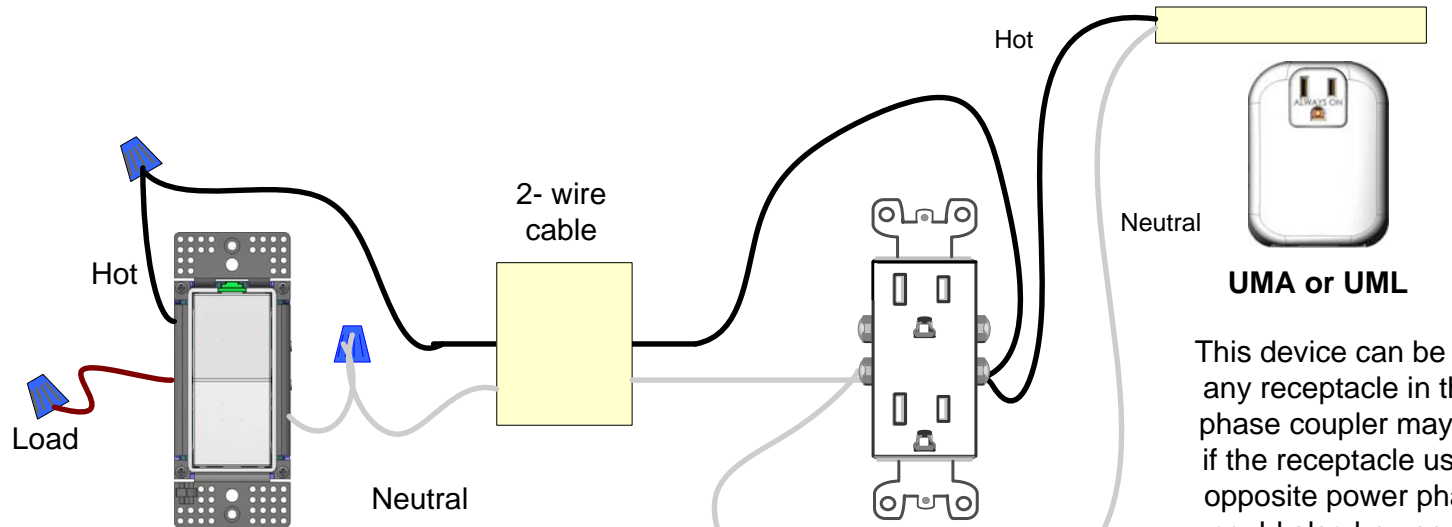
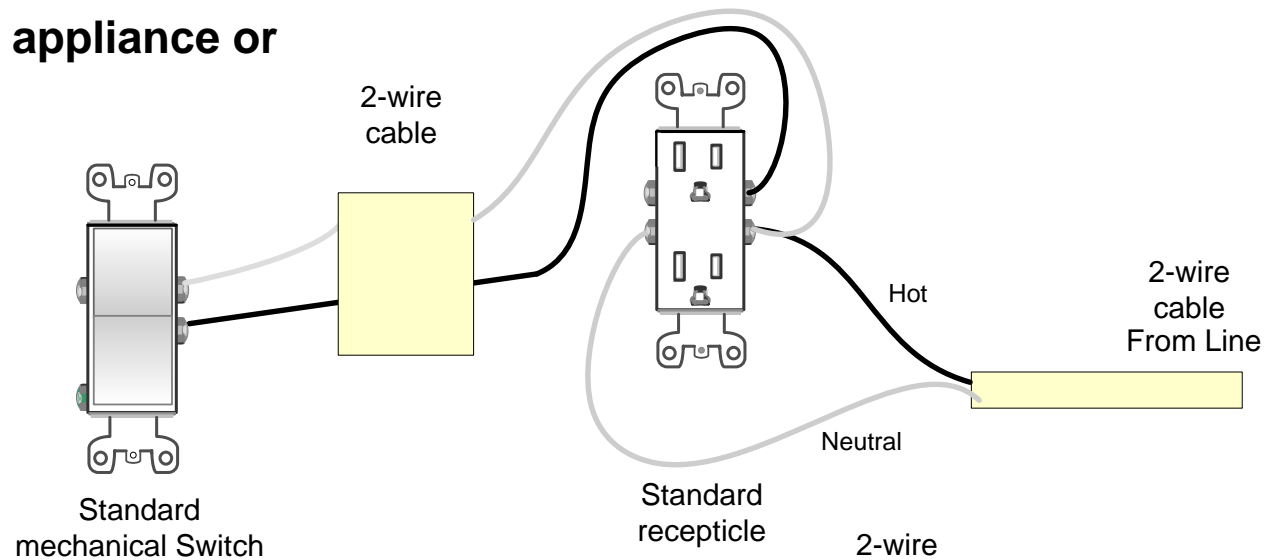


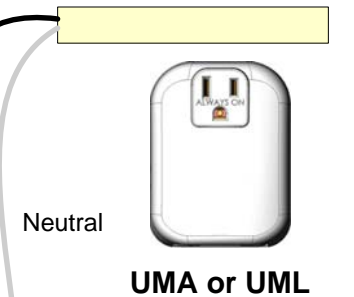
Converting a standard mechanical switch and receptacle to a UPB switch to relocate the controlled appliance or lamp.

Existing Mechanical Switch and Receptacle



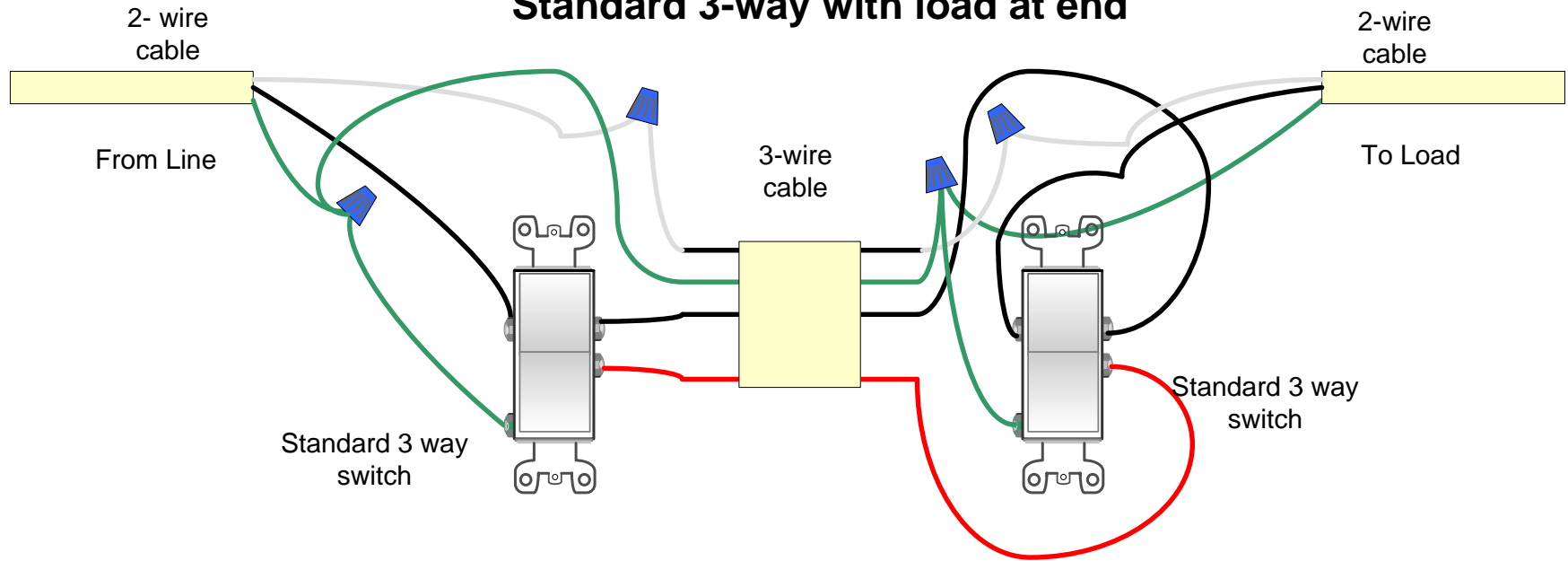
US11-40

Conversion to Simply Automated UPB Switches



This device can be plugged into any receptacle in the home. A phase coupler may be required if the receptacle used is on the opposite power phase. A URD could also be used to replace an existing mechanical receptacle.

Standard 3-way with load at end



Conversion to Simply Automated UPB Switches – Virtual Remote

