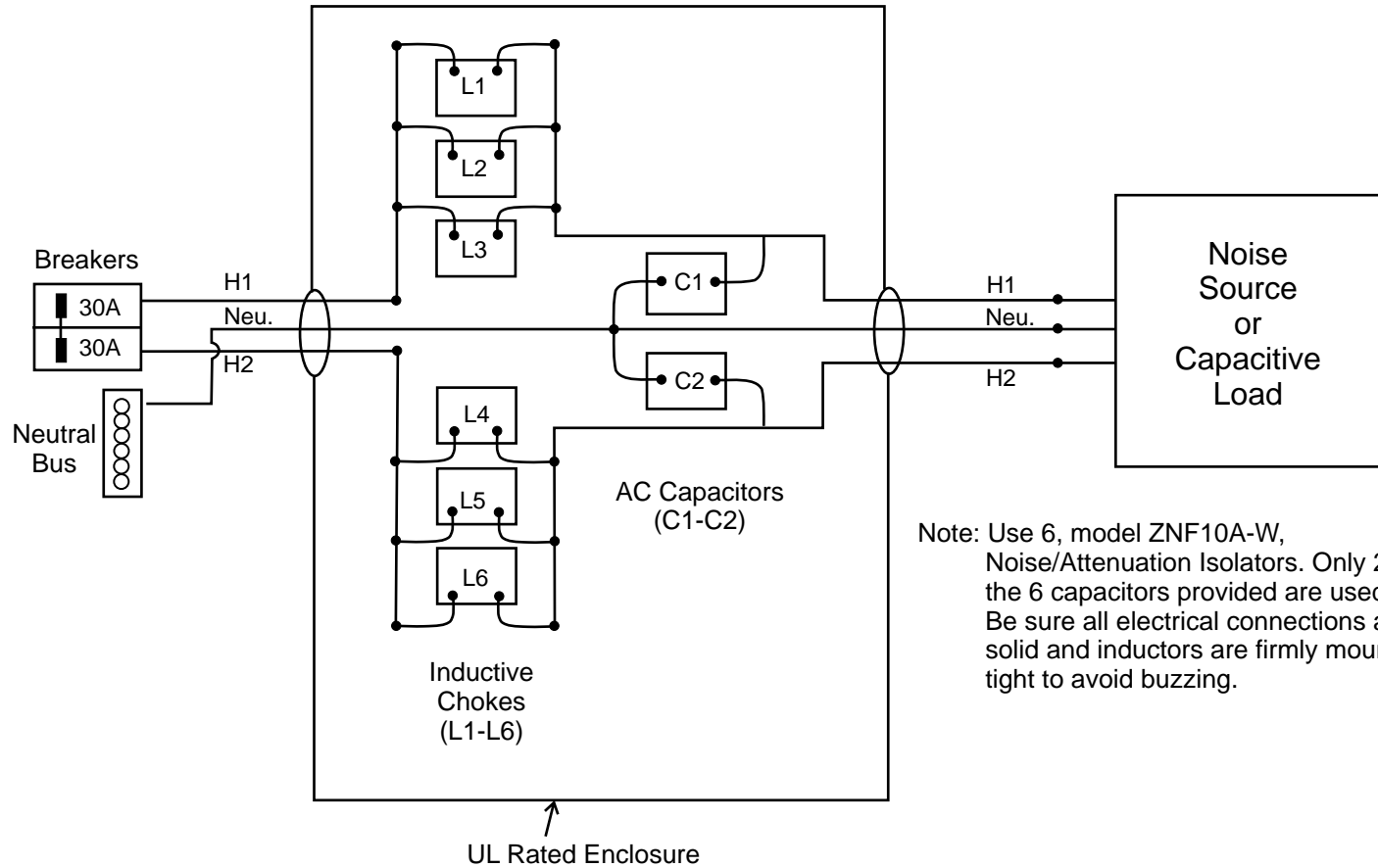


Isolation of 240VAC 30Amp Circuits



Note: Use 6, model ZNF10A-W, Noise/Attenuation Isolators. Only 2 of the 6 capacitors provided are used. Be sure all electrical connections are solid and inductors are firmly mounted tight to avoid buzzing.

Simply Automated, Inc.

6108 Avenida Encinas
Carlsbad, CA 92011

www.Simply-Automated.com

Ph:800-630-9234 / 760-431-2100

