

Anywhere 3-Way Switch Kit 2-Rocker

Remote Lighting Control

- **Virtual Lighting Control**

Turn on/off lights from anywhere in your home – front entry, rear patio, hallway, garage, master bedroom, remote flat, attic basement, kitchen, living room, dining area, also controls motors, pumps, and appliances. Endless possibilities...

- **Easy to Use**

- Top rocker of 2-rocker switch controls switch's local load circuit – bottom rocker controls the 1-rocker switch (virtual 3-way)
- Press top/bottom of rockers to turn on/off switches
- Blue-Green status LED on/off status display
- 900W maximum output, 1W minimum for LED fixtures
- No new wires, advanced powerline communication technology – transmits over 1 mile on a 14 gage wire circuit
- No traveler wires or batteries required

- **Professional Grade Switches**

- Built-in thermal overload protection for added safety
- Patented heat sink design ensures cool operation and long life
- Replaces existing mechanical switches and uses same wires – white neutral wire connection required
- Controls incandescent, fluorescent, halogen, LED, magnetic and electronic low-voltage lighting transformers & ballasts

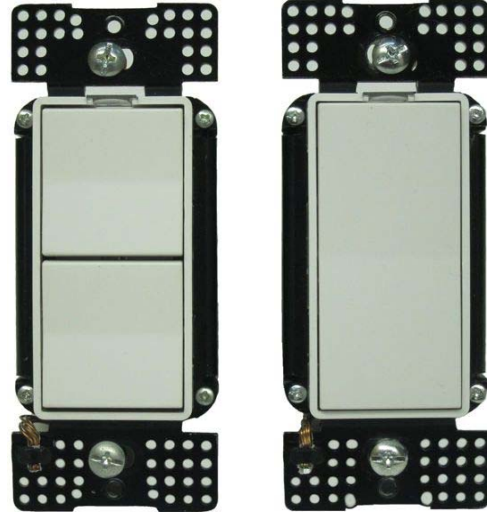
- **Optional Rocker Color Change Kits**

- Removable rockers for easy color change
- Gloss white, almond, light almond, ivory, black or brown.

- **Powerful Easy to Install Expansion Capabilities**

- Combine with **Anywhere Switches** (US1-V0 or US2-V02) for 4-way virtual lighting control, turn on/off 3 different light circuits from anywhere in your home – rear patio light + garage light from your front entry / living room light + hallway light from garage entry / front light + rear patio light from master bedroom, endless possibilities...

Combine with **Plug-In Appliance Relay Module** (UMA-V0), **Wire-In Fixture Relay Module** (UFR-V0) or **Controlled Receptacle** (URD-V0) for remote lighting and appliance control throughout your home. Allows you to turn on/off 1, 2, 3, 4, 5, or more lights or appliances from anywhere in your home. Endless possibilities!



Anywhere 3-Way Switch Kit 2-Rocker

Virtual Remote Lighting Control

Includes One 2-Rocker and One 1-Rocker Anywhere Switches

Model: V3WAY-B

DESCRIPTION

Model V3WAY-B Anywhere 3-Way Switch Kit includes two (2) high quality, professional grade (120VAC/60Hz), on/off switches with gloss white faceplates. Used to replace existing mechanical switches and use the existing switch wires (white neutral wire required) to provide 3-way control - no traveler wires or batteries needed.

Each switch has a 900 Watt maximum (1 Watt minimum) output circuit wire to control any light (or load) circuit. Pressing the top of the top-rocker turns on output circuit wire (status LED shines green). Pressing the bottom of the top-rocker turns off output circuit (status LED shines blue). Pressing top/bottom of bottom-rocker turns on/off remote virtual 1-rocker switch and other Anywhere switches and modules that are set for channel 1. Top rocker can also turn on/off remote virtual switches and modules that are set on channel 2.

Up to one V3WAY-B, and two V3WAY-A, Anywhere 3-Way Switch Kits and accessories can be used in a home, allowing four separate virtual control zones!

Employs Simply Automated's advanced powerline communication technology. No radio frequency (RF) emissions, used in tens of thousands of homes.

The switches have a thermal overload protection mechanism that turn the switch off if it gets too hot, automatically turns back on after it cools.

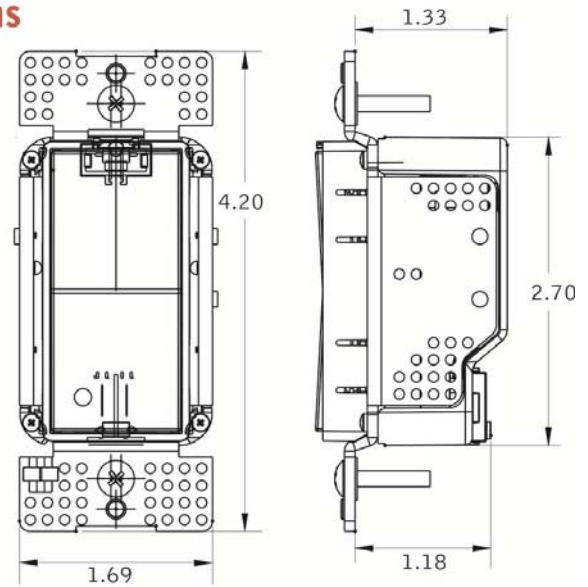
Anywhere 3-Way Switch Kit 2-Rocker
 Includes 1 each US2-V02 & US1-V0 Anywhere Switches
 Model: V3WAY-B

SPECIFICATIONS

- Power:** 120VAC +/- 10%, 60Hz (GFI/AFI compatible)
Load: 1 W minimum, 900 W maximum, 7.5 Amps at 120VAC, per switch. *See table for ganging & de-rating details.
Output: Triac output configured for On/Off control (default).
Connections: 6" stranded wires, #16 AWG for power & load
Operating Temperature: 30 to 120°F (0 to 50°C)
Weight: 4.4 Oz. (125g) Net, 6.6 Oz. (187g) Gross
Mounting: Standard Junction Box
Wiring: Black; AC Line
 White; AC Neutral
 Brown; Load (to fixture)

*Ganging & Derating		# of US1 switches in j-box		
		1	2	3
# of j-box Gangs	1	600 W	--	--
	2	800 W	500 W	--
	3+	900 W	700 W	500 W

Dimensions



For Indoor (or weather protected) Use Only

ORDERING INFORMATION

Models:

- V3WAY-B; Anywhere Virtual 3-Way Switch Kit, 2-Rocker (V3WAY-B includes 1, US1-V0 and 1, US2-V02 2-Rocker)
- V3WAY-A; Anywhere Virtual 3-Way Switch Kit (V3WAY-A includes 2, US1-V0 1-Rocker Virtual Switches)
- ZS11-*; Color Change Kit, (1) 1-Rocker Faceplate
- ZS22-*; Color Change Kit, (1) 2-Rocker Faceplate
- * Specify faceplate color: "A" Almond, "BK" Black, "BN" Brown, "I" Ivory, "LA" Light Almond & "W" White

Accessory Models:

- US1-V0; Anywhere 1-Rocker Virtual Switch, White
- US2-V02; Anywhere 2-Rocker Virtual Switch, White
- US2-V03; Anywhere 3-Rocker Virtual Switch, White
- US2-V04; Anywhere 4-Rocker Virtual Switch, White
- UCS-V0; Anywhere Scheduler-Timer Controller
- UFR-V0; Anywhere Virtual Wire-In Relay Module
- UMA-V0; Anywhere Virtual Plug-In Relay Module
- URD-V0-**; Anywhere Virtual Receptacle Outlet
- ** Specify receptacle color: "A" Almond, "I" Ivory, "LA" Light Almond & "W" White

Anywhere Virtual 3-Way Switch Kit – Circuit Requirements

- Hot and neutral (black and white wire) power connections are required at both switch locations.
- Controls incandescent, fluorescent, halogen, LED, magnetic and electronic low-voltage lighting transformers & ballasts (1 Watt Min., 900 Watts Max.). Ballasts for 120VAC Metal-halide or Mercury/Sodium fixtures may need to be isolated (see model: ZNF10A). Controls 120VAC/60Hz motors up to 7.5 Amps Max.
- One Anywhere V3WAY-B and 2 V3WAY-A Switch Kits and any number of accessories can be used separately in a home, using the 4 available communication channels.
- Installation of both switches should be on the same circuit (breaker) for maximum communication distance. If switches are on different circuits, they should be on the same phase power for maximum communication distance, i.e., both switches on phase A, or phase B circuit breakers (phase alignment).
- If using both phase A and B circuits, and the home has more than 1 breaker panels or is more than 2500 sq. ft, phase coupler is recommended for optimum performance, (see model ZPCI).
- Not intended for use in 3-phase (commercial/condo) applications unless the switches are on the same breaker or phase.

The Anywhere Series is not compatible with any of Simply Automated's PC-Configured, Pre-Configured, Simply Smart™, or other UPB or UPStart configured products.



Simply Automated, Incorporated

6108 Avenida Encinas, Suite B, Carlsbad, CA 92011
 760-431-2100 / 800-630-9234

www.Simply-Automated.com

Email: sales@simply-automated.com

Tech Support: upbhelp@simply-automated.com