

Anywhere 3-Way Switch Kit

Remote Lighting Control

- **Virtual Lighting Control**

Turn on/off lights from anywhere in your home – front entry, rear patio, hallway, garage, master bedroom, remote flat, attic basement, kitchen, living room, dining area, also controls motors, pumps, and appliances. Endless possibilities...

- **Easy to Use**

- Press top/bottom of rocker to turn on/off both switches
- Blue-Green status LED on/off status display
- 900W maximum output, 1W minimum for LED fixtures
- No new wires, advanced powerline communication technology – transmits over 1 mile on a 14 gage wire circuit
- No traveler wires or batteries required

- **Professional Grade Switches**

- Built-in thermal overload protection for added safety
- Patented heat sink design ensures cool operation and long life
- Replaces existing mechanical switches and uses same wires – white neutral wire connection required
- Controls incandescent, fluorescent, halogen, LED, magnetic and electronic low-voltage lighting transformers & ballasts

- **Optional Rocker Color Change Kits**

- Removable rockers for easy color change
- Gloss white, almond, light almond, ivory, black or brown.

- **Powerful Easy to Install Expansion Capabilities**

- Combine with **Anywhere Switch** (US1-V0) for 4-way virtual lighting control, turn on/off 3 different light circuits from anywhere in your home – rear patio light + garage light from your front entry / living room light + hallway light from garage entry / front light + rear patio light from master bedroom, endless possibilities...

Combine with **Plug-In Appliance Relay Module** (UMA-V0), **Wire-In Fixture Relay Module** (UFR-V0) or **Controlled Receptacle** (URD-V0) for remote lighting and appliance control throughout your home. Allows you to turn on/off 1, 2, 3, 4, 5, or more lights or appliances from anywhere in your home. Endless possibilities!



Anywhere 3-Way Switch Kit

Virtual Remote Lighting Control
Includes Two (2) Anywhere Switches
Model: V3WAY-A

DESCRIPTION

Model V3WAY-A Anywhere 3-Way Switch Kit includes two (2) high quality, professional grade (120VAC/60Hz), on/off switches with gloss white faceplates. Used to replace existing mechanical switches and use the existing switch wires (white neutral wire required) to provide 3-way control - no traveler wires or batteries needed.

Each switch has a 900 Watt maximum (1 Watt minimum) output circuit wire to control any light (or load) circuit. Pressing the top of the rocker turns on both switches (status LED shines green). Pressing the bottom of the rocker turns off both switches (status LED shines blue). Status LEDs tell if the remote light/load is on or off.

Up to four Anywhere V3WAY-A Switch Kits and accessories can be used in a home, allowing four separate virtual control zones!

Employs Simply Automated's advanced powerline communication technology. No radio frequency (RF) emissions, used in tens of thousands of homes.

The switches have a thermal overload protection mechanism that turn the switch off if it gets too hot, automatically turns back on after it cools.

Anywhere Virtual 3-Way Switch Kit

Includes 2 model US1-V0 Anywhere Switches
Model: V3WAY-A

SPECIFICATIONS

- Power:** 120VAC +/- 10%, 60Hz (GFI/AFI compatible)
Load: 1 W minimum, 900 W maximum, 7.5 Amps at 120VAC, per switch. *See table for ganging & de-rating details.
Output: Triac output configured for On/Off control (default).
Connections: 6" stranded wires, #16 AWG for power & load
Operating Temperature: 30 to 120°F (0 to 50°C)
Weight: 4.4 Oz. (125g) Net, 6.6 Oz. (187g) Gross
Mounting: Standard Junction Box
Wiring: Black; AC Line
 White; AC Neutral
 Brown; Load (to fixture)

*Ganging & Derating		# of US1 switches in j-box		
		1	2	3
# of j-box	1	600 W	--	--
	2	800 W	500 W	--
Gangs	3+	900 W	700 W	500 W

For Indoor (or weather protected) Use Only

ORDERING INFORMATION

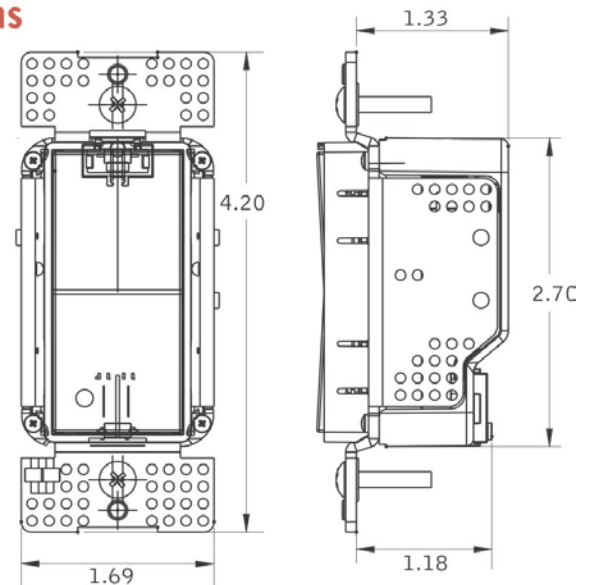
Models:

- V3WAY-A; Anywhere Virtual 3-Way Switch Kit
 (V3WAY-A includes 2, US1-V0 1-Rocker Virtual Switches)
 V3WAY-B; Anywhere Virtual 3-Way Switch Kit, 2-Rocker
 (V3WAY-B includes 1, US1-V0 and 1, US2-V02 2-Rocker)
 ZS11-*; Color Change Kit, (1) 1-Rocker Faceplate
 ZS22-*; Color Change Kit, (1) 2-Rocker Faceplate
 * Specify faceplate color: "A" Almond, "BK" Black,
 "BN" Brown "I" Ivory, "LA" Light Almond & "W" White

Accessory Models:

- US1-V0; Anywhere 1-Rocker Virtual Switch, White
 US2-V02; Anywhere 2-Rocker Virtual Switch, White
 US2-V03; Anywhere 3-Rocker Virtual Switch, White
 US2-V04; Anywhere 4-Rocker Virtual Switch, White
 UCS-V0; Anywhere Scheduler-Timer Controller
 UFR-V0; Anywhere Virtual Wire-In Relay Module
 UMA-V0; Anywhere Virtual Plug-In Relay Module
 URD-V0-**; Anywhere Virtual Receptacle Outlet
 ** Specify receptacle color: "A" Almond, "I" Ivory,
 "LA" Light Almond & "W" White

Dimensions



Anywhere Virtual 3-Way Switch Kit – Circuit Requirements

- Hot and neutral (black and white wire) power connections are required at both switch locations.
- Controls incandescent, fluorescent, halogen, LED, magnetic and electronic low-voltage lighting transformers & ballasts (1 Watt Min., 900 Watts Max.). Ballasts for 120VAC Metal-halide or Mercury/Sodium fixtures may need to be isolated (see model: ZNF10A). Controls 120VAC/60Hz motors up to 7.5 Amps Max.
- Up to 4 separate Anywhere V3WAY-A Switch Kits and accessories can be used in a home, using the 4 available communication channels.
- Installation of both switches should be on the same circuit (breaker) for maximum communication distance. If switches are on different circuits, they should be on the same phase power for maximum communication distance, i.e., both switches on phase A, or phase B circuit breakers (phase alignment).
- If using both phase A and B circuits, and the home has more than 1 breaker panels or is more than 2500 sq. ft., a phase coupler is recommended for optimum performance, (see model ZPCI).
- Not intended for use in 3-phase (commercial/condo) applications unless the switches are on the same breaker or phase.

The Anywhere Series is not compatible with any of Simply Automated's PC-Configured, Pre-Configured, Simply Smart™, or other UPB or UPStart configured products.



Simply Automated, Incorporated

6108 Avenida Encinas, Suite B, Carlsbad, CA 92011

760-431-2100 / 800-630-9234

www.Simply-Automated.com

Email: sales@simply-automated.com

Tech Support: upbhelp@simply-automated.com