

Anywhere 3-Way On/Off Switch Kit

Two high quality professional grade 900W switches replace existing switches and provide 3-way on/off control - no traveler wires or batteries needed

FEATURES/BENEFITS

- **3-way control anywhere on the property**
 - Simple, cost effective alternative to running new wires
 - Communicates over 1000 feet and between 2 split phases
 - Replaces existing mechanical switches and uses same wires – white neutral wire connection required
 - No traveler wires or batteries required
 - Each turn on/off both switches' 900W circuits
- **High quality, professional grade switches**
 - 900W or 7.5 Amps Max., 1W Min., controls most any load
 - Blue-Green status LED for off-on indication
 - Thermal overload protection for added safety
 - Patented heat sink design ensures cool operation and long life
 - Add-on switches (**model US1-V0**) are available for 4-way, 5-way, or as many as you like-way... applications
- **Simple to use and very reliable**
 - Press top/bottom of rocker to turn on/off both switches
 - Four channels for communication, allows up to 4 separate pairs in the home & avoids interaction with neighbor's switches
 - Advanced powerline communication technology – transmits over 1 mile on 14 gage wire.
- **Typical applications**
 - Controls incandescent, fluorescent, halogen, LED, magnetic and electronic low-voltage lighting transformers & ballasts
 - Remotely control room, basement, garage, barn, driveway, pathway, security, yard and dock lighting, as well as motor, pump, fan and appliances ≤ 900 watts (≤ 7.5 Amps)
- **Color change kits (sold separately, Model ZS11)**
 - Removable faceplates for easy color change from gloss white to almond, light almond, ivory, black or brown.
 - Wallplate sold separately

DESCRIPTION

Model V3WAY-A Anywhere 3-Way Switch Kit includes 2 high quality professional grade (120VAC/60Hz) on/off switches with gloss white faceplates. They are used to replace existing mechanical switches and use the existing switch wires (white neutral wire required) to provide 3-way control - no traveler wires or batteries needed. The Anywhere 3-Way Switch Kit offers a cost effective alternative for the professional electrician – versus running costly new wiring or using wireless 3-way consumer DIY options that do not always work. For 4-way or 5-way or more-way applications, one or more of the add-on Anywhere On/Off Switch **model US1-V0** can be used to work in unison with the **V3WAY-A** switches.



Anywhere 3-Way On/Off Switch Kit,
Model: V3WAY-A

Each switch has a (900 Watt maximum, 1 Watt minimum) output circuit wire that can be connected to control a local light/load circuit. If only 1 light circuit needs to be connected, simply use a wire nut (included) to cap the unused output wire. Pressing the top of the rocker turns on both switches (status LED shines green). Pressing the bottom of the rocker turns off both switches (status LED shines blue). Status LEDs tell if the remote light/load is on or off. This is very useful if one cannot see/hear if the remote light/load is on or off. One of four channels of communication can be selected allowing up to four separate sets, or "zones" of 3-way or multi-way applications on the property's electrical service. The switches also have a thermal overload protection mechanism. It will momentarily turn the switch off if it gets too hot. This prevents accidental overload (e.g. someone changes bulbs to a wattage exceeding maximum) from damaging the switch or causing a safety issue. The switch will turn back on after it cools. Thus an overloaded switch will cycle off/on/off/on... until the switch is turned off or the load is reduced to within specifications.

The professional grade Anywhere 3-Way Switch Kit employs Simply Automated's advanced powerline communication technology. This technology is safe and reliable. It has no radio frequency (RF) emissions, and is used reliably in tens of thousands of homes with no adverse affects to appliances, stereo equipment, ham radios, cordless phones, wireless RF modems/devices, computer equipment or other home automation technology like the much less reliable X10. In fact the technology is employed in freeway bridge applications spanning over a mile. The Anywhere 3-Way On/Off Switch kit is compatible with Simply Automated's "Anywhere" product line, but it is **not compatible (will not talk to or work) with any of Simply Automated's PC-Configured, Pre-Configured, SimplySmart™, or other UPB or UPstart configured product solutions.**

Anywhere 3-Way On/Off Switch Kit (V3WAY-A) Anywhere On/Off Switch (US1-V0)

APPLICATIONS

Model V3WAY-A The professional grade Anywhere 3-Way Switch Kit provides 3-way switch functionality without traveler wires or batteries. They simply replace existing mechanical switches and turn each other on and off. Distance is usually not an issue, unlike other wireless 3-way switches. Anywhere switch signals will travel between two split phases of a home's power service and well over 1000 feet on a single 14 gage circuit. Even if one can't see the light/load, status LEDs will show that the light/load is off (or on).

Eliminate the need to walk out to the garage or down to the basement to turn off the lights. Or, control all the flood lights around the house from any of their switches. Turn on driveway post lights from the front porch switch. Turn on the dock lights or the barn lights from the back door. Remote control fountain, well or circulating pumps from anywhere inside or outside the home. Applications for the Anywhere switches are numerous and waiting.

SPECIFICATIONS

Power: 120VAC +/- 10%, 60Hz

Load: 1 W minimum, 900 W maximum, 7.5 Amps at 120VAC, per switch. *See table for ganging & de-rating details.

Output: Triac output configured for On/Off control (default).

Connections: 6" stranded wires, #16 AWG for power & load

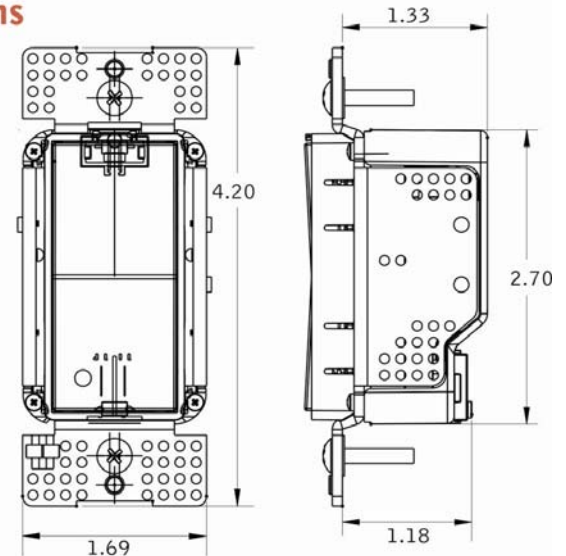
Operating Temperature: 30 to 120°F (0 to 50°C)

Weight: 4.4 Oz. (125g) Net, 6.6 Oz. (187g) Gross

Mounting: Standard Junction Box

For Indoor (or weather protected) Use Only

Dimensions



*Ganging & Derating		# of US1 switches in j-box		
		1	2	3
# of j-box Gangs	1	600 W	--	--
	2	800 W	500 W	--
	3+	900 W	700 W	500 W

Wiring:
Black; AC Line
White; AC Neutral
Brown; Load (to fixture)

Anywhere 3+Way On/Off Switch - Circuit Requirements

- Hot and neutral (black and white wire) power connections are required at both switch locations.
- Controls incandescent, fluorescent, halogen, LED, magnetic and electronic low-voltage lighting transformers & ballasts (1 Watt Min., 900 Watts Max.). Ballasts for 120VAC Metal-halide or Mercury/Sodium fixtures may need to be isolated (see model: ZNF10A). Controls 120VAC/60Hz motors up to 7.5 Amps Max.
- Up to 4 Anywhere 3-Way Switch Kits can be used in the home separately using the 4 available communication channels. Any number of 'add-on' Anywhere Switches (model: US1-V0) can be added for 4-way, 5-way or more way control, to each of the 4 channels.
- Easiest (best) installation if both switches are on the same circuit (breaker).
- Easier (better) installation if switches are on different breakers of the same phase power (both switches on phase A, or phase B breakers) within a breaker panel.
- Easy (good) installation when a phase coupler (model ZPCI) is connected between phases A & B, if V3WAY switches are on different phase circuits. Especially if the home is greater than 2500 Sq. Ft. or circuits are on opposite phases in different breaker panels (see user guide for more details).
- Do not use in 3-phase (commercial/condo) power applications unless switches are on the same breaker or phase, otherwise a three-phase repeater is required (model: UTR).



**Anywhere On/Off Switch
Model: US1-V0**



Simply Automated, Incorporated

6108 Avenida Encinas, Suite B, Carlsbad, CA 92011

760-431-2100 / 800-630-9234

www.Simply-Automated.com

Email: sales@simply-automated.com

Tech Support: upbhelp@simply-automated.com