

## Anywhere 4-Rocker Switch

### Remote Lighting Control

- **Virtual Lighting Control**

The Anywhere 4-Rocker Switch (US2-V04) is another starting point to remote virtual lighting control allowing you turn on/off lights anywhere in your home.

- **Easy to Use**

- Top-left rocker turns on/off local lighting circuit – and remote Anywhere switches and modules set on channel 2
- Bottom left rocker turns on/off remote Anywhere switches and modules set on channel 1
- Top-right and bottom-right turn on/off remote Anywhere switches and modules set on channel 3 & 4, respectively
- Blue-Green status LED on/off local load status display
- 900W maximum output, 1W minimum for LED fixtures
- No new wires, advanced powerline communication technology – transmits over 1 mile on a 14 gage wire circuit
- No traveler wires or batteries required

- **Professional Grade**

- Built-in thermal overload protection for added safety
- Patented heat sink design ensures cool operation and long life
- Replaces existing mechanical switch and uses same wires – white neutral wire connection required
- Controls incandescent, fluorescent, halogen, LED, magnetic and electronic low-voltage lighting transformers & ballasts

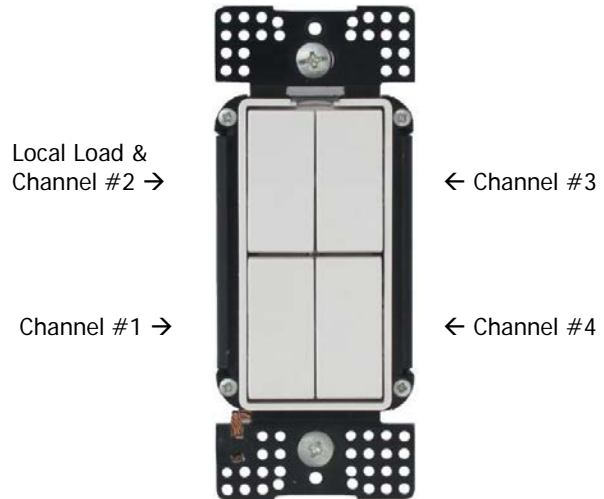
- **Powerful Easy to Install Expansion Capabilities**

Combine with **Anywhere 3-Way Switch Kits (V3WAY)** for 4-way virtual lighting control, turn on/off 3 or more different light circuits anywhere in your home – rear patio light + garage light from your front entry / living room light + hallway light from garage entry / front light + rear patio light from master\ bedroom. Endless possibilities...

Combine **Anywhere 4-Rocker Switch (US2-V04)** with **Anywhere Single-Rocker Switch (US1-V0)**, **Plug-In Appliance Relay Module (UMA-V0)**, **Wire-In Fixture Relay Module (UFR-V0)** or **Controlled Receptacle (URD-V0)** for virtual lighting and appliance control throughout your home. Allows you to turn on/off 1, 2, 3, 4, 5, or more lights or appliances anywhere in your home. Endless possibilities!

- **Optional Rocker Color Change Kits**

- Removable rockers for easy color change
- Gloss white, almond, light almond, ivory, black or brown.



Anywhere 4-Rocker Switch  
Model: US2-V04

## DESCRIPTION

**Model US2-V04** Anywhere Switch includes one (1) high quality, professional grade (120VAC/60Hz), on/off switch with 4-rocker gloss white faceplate. Replaces existing mechanical switch and uses the existing switch wires (white neutral wire required) to provide local and remote lighting control - no traveler wires or batteries needed.

Has a 900 Watt maximum (1 Watt minimum) output circuit wire to control any light (or load) circuit. Pressing the top of the top-left-rocker turns on output circuit wire (status LED shines green). Pressing the bottom of the top-left-rocker turns off output circuit (status LED shines blue). Pressing top/bottom of top-right or bottom-rockers turns on/off remote virtual switches and modules that are set on channels 3, or 1, or 4. Top-left-rocker can also turn on/off remote virtual switches and modules that are set on channel 2.

Up to four separate virtual control zones (channels) can be used in a home! And, with the US2-V04 you can simply change (remove / replace) the 4-rocker faceplate (ZS24) to either a 2- or a 3-rocker faceplate (ZS22 or ZS23), if desired. Employs Simply Automated's advanced powerline communication technology. No radio frequency (RF) emissions, used in tens of thousands of homes.

The switches have a thermal overload protection mechanism that turn the switch off if it gets too hot, automatically turns back on after it cools.

Anywhere virtual switches and modules can also respond to multiple channels, for functions like "All On/Off". For more information go to [http://www.simply-automated.com/Anywhere\\_Virtual\\_3-way\\_Applications.php](http://www.simply-automated.com/Anywhere_Virtual_3-way_Applications.php)

# Anywhere Virtual Accessory Switch

Model: US2-V04

## SPECIFICATIONS

**Power:** 120VAC +/- 10%, 60Hz (GFI/AFI compatible)

**Load:** 1 W minimum, 900 W maximum, 7.5 Amps at 120VAC, per switch. \*See table for ganging & derating details.

**Output:** Triac output configured for On/Off control (default).

**Connections:** 6" stranded wires, #16 AWG for power & load

**Operating Temperature:** 30 to 120°F (0 to 50°C)

**Weight:** 4.4 Oz. (125g) Net, 6.6 Oz. (187g) Gross

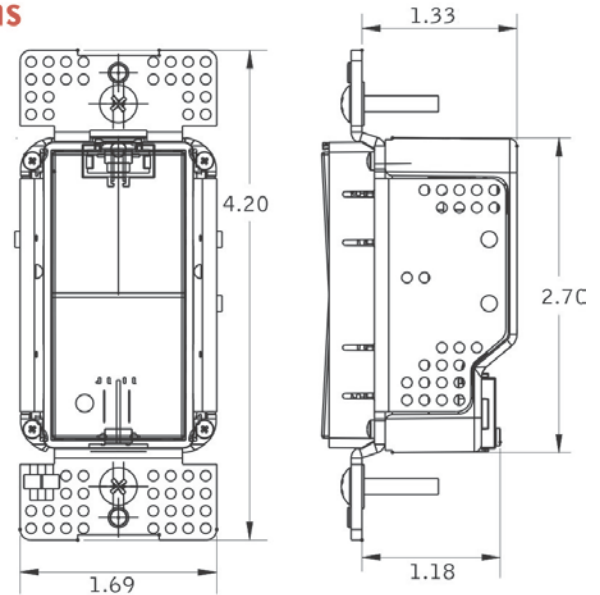
**Mounting:** Standard Junction Box

**Wiring:** Black; AC Line  
White; AC Neutral  
Brown; Load (to fixture)

For Indoor (or weather protected) Use Only

*Ganging & Derating		# of US1 switches in j-box		
		1	2	3
# of j-box Gangs	1	600 W	--	--
	2	800 W	500 W	--
	3+	900 W	700 W	500 W

## Dimensions



## ORDERING INFORMATION

Models:	Accessory Models:
US2-V04; Anywhere 4-Rocker Virtual Switch, White	US1-V0; Anywhere 1-Rocker Virtual Switch, White
US2-V02; Anywhere 2-Rocker Virtual Switch, White	V3WAY-A; Anywhere Virtual 3-Way Switch Kit (2, 1 rocker switches)
US2-V03; Anywhere 3-Rocker Virtual Switch, White	V3WAY-B; Anywhere Virtual 3-Way Switch Kit (1, 1 rocker & 1, 2 rocker)
ZS22-*; Color Change Kit, (1) 2-Rocker Faceplate	UCS-V0; Anywhere Scheduler-Timer Controller
ZS23-*; Color Change Kit, (1) 3-Rocker Faceplate	UFR-V0; Anywhere Virtual Wire-In Relay Module
ZS24-*; Color Change Kit, (1) 4-Rocker Faceplate	UMA-V0; Anywhere Virtual Plug-In Relay Module
* Specify color: "A" Almond, "BK" Black, "BN" Brown	URD-V0-**; Anywhere Virtual Receptacle Outlet, Ivory
"I" Ivory, "LA" Light Almond & "W" White	** Specify color: "A" Almond, "I" Ivory, "LA" Light Almond & "W" White

## Anywhere Virtual Accessory Switch (US2-V0) - Circuit Requirements

- Hot and neutral (black and white wire) power connections are required at switch locations.
- Controls incandescent, fluorescent, halogen, LED, magnetic and electronic low-voltage lighting transformers & ballasts (1 Watt Min., 900 Watts Max.). Ballasts for 120VAC Metal-halide or Mercury/Sodium fixtures may need to be isolated (see model: ZNF10A). Controls 120VAC/60Hz motors up to 7.5 Amps Max.
- Up to 4 separate virtual control zones can be used in a home, using the 4 available communication channels. Optionally, use Scheduler-Timer (model UCS) to expand, add secondary receive channel for 'All On/Off'.
- Installation of switches and devices should be on the same circuit (breaker) for maximum communication distance. If switches are on different circuits, they should be on the same phase power for maximum communication distance, i.e., both switches on phase A, or phase B circuit breakers (phase alignment).
- If using both phase A and B circuits, and the home has more than 1 breaker panels or is more than 2500 sq. ft., a phase coupler is recommended for optimum performance, (see model ZPCI).
- Not intended for use in 3-phase (commercial/condo) applications unless the switches are on the same breaker or phase.

The Anywhere Series is not compatible with any of Simply Automated's PC-Configured, Pre-Configured, Simply Smart™, or other UPB or UPStart configured products.



Simply Automated, Incorporated

6108 Avenida Encinas, Suite B, Carlsbad, CA 92011

760-431-2100 / 800-630-9234

[www.Simply-Automated.com](http://www.Simply-Automated.com)

Email: [sales@simply-automated.com](mailto:sales@simply-automated.com)

Tech Support: [upbhelp@simply-automated.com](mailto:upbhelp@simply-automated.com)