

Anywhere Switch

Remote Lighting Control

• Virtual Lighting Control

The Anywhere Switch (US1-V0) is the starting point to remote virtual UPB lighting control allowing you turn on/off lights anywhere in your home.

• Easy to Use

- Press top/bottom of rocker to turn on/off all devices
- Blue-Green status LED on/off status display
- 900W maximum output, 1W minimum for LED fixtures
- No new wires, advanced powerline communication technology – transmits over 1 mile on a 14 gage wire circuit
- No traveler wires or batteries required

• Professional Grade

- Built-in thermal overload protection for added safety
- Patented heat sink design ensures cool operation and long life
- Replaces existing mechanical switch and uses same wires – white neutral wire connection required
- Controls incandescent, fluorescent, halogen, LED, magnetic and electronic low-voltage lighting transformers & ballasts

• Powerful Easy to Install Expansion Capabilities

Combine with **Anywhere 3-Way Switch Kit** (V3WAY-A) for 4-way virtual lighting control, turn on/off 3 different light circuits anywhere in your home – rear patio light + garage light from your front entry / living room light + hallway light from garage entry / front light + rear patio light from master bedroom. Endless possibilities...

Combine **Anywhere Switch** (US1-V0) with **Plug-In Appliance Relay Module** (UMA-V0), **Wire-In Fixture Relay Module** (UFR-V0) or **Controlled Receptacle** (URD-V0) for virtual lighting and appliance control throughout your home. Allows you to turn on/off 1, 2, 3, 4, 5, or more lights or appliances anywhere in your home. Endless possibilities!

• Optional Rocker Color Change Kits

- Removable rockers for easy color change
- Gloss white, almond, light almond, ivory, black or brown.



Anywhere Switch
Model: US1-V0

DESCRIPTION

Model US1-V0 Anywhere Switch includes one (1) high quality, professional grade (120VAC/60Hz), on/off switch with gloss white faceplate. Replaces existing mechanical switch and uses the existing switch wires (white neutral wire required) to provide remote lighting control - no traveler wires or batteries needed.

Has a 900 Watt maximum (1 Watt minimum) output circuit wire to control any light (or load) circuit. Pressing the top of the rocker turns on both devices (status LED shines green). Pressing the bottom of the rocker turns off both devices (status LED shines blue). Status LEDs tell if the remote light/load is on or off.

Up to four separate virtual control zones can be used in a home! Employs Simply Automated's advanced powerline communication technology. No radio frequency (RF) emissions, used in tens of thousands of homes.

The switches have a thermal overload protection mechanism that turn the switch off if it gets too hot, automatically turns back on after it cools.

Anywhere Virtual Accessory Switch

Model: US1-V0

SPECIFICATIONS

Power: 120VAC +/- 10%, 60Hz (GFI/AFI compatible)

Load: 1 W minimum, 900 W maximum, 7.5 Amps at 120VAC, per switch. *See table for ganging & derating details.

Output: Triac output configured for On/Off control (default).

Connections: 6" stranded wires, #16 AWG for power & load

Operating Temperature: 30 to 120°F (0 to 50°C)

Weight: 4.4 Oz. (125g) Net, 6.6 Oz. (187g) Gross

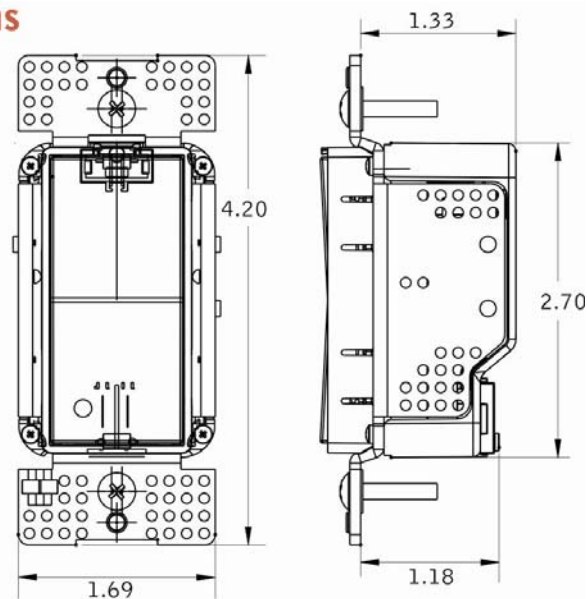
Mounting: Standard Junction Box

Wiring: Black; AC Line
White; AC Neutral
Brown; Load (to fixture)

For Indoor (or weather protected) Use Only

*Ganging & Derating	# of US1 switches in j-box			
	1	2	3	
# of	1	600 W	--	--
j-box	2	800 W	500 W	--
Gangs	3+	900 W	700 W	500 W

Dimensions



ORDERING INFORMATION

Model:

US1-V0; Anywhere Virtual Switch, White
ZS11-A; Color Change Kit, (1) Rocker Faceplate, Almond
ZS11-I; Color Change Kit, (1) Rocker Faceplate, Ivory
ZS11-LA; Color Change Kit, (1) Rocker Faceplate, Light Almond
ZS11-BK; Color Change Kit, (1) Rocker Faceplate, Black
ZS11-BN; Color Change Kit, (1) Rocker Faceplate, Brown

Accessory Models:

V3WAY-A; Anywhere Virtual 3-Way Switch Kit
UMA-V0; Anywhere Virtual Plug-In Relay Module
UFR-V0; Anywhere Virtual Wire-In Relay Module
URD-V0-W; Anywhere Virtual Receptacle Outlet, White
URD-V0-A; Anywhere Virtual Receptacle Outlet, Almond
URD-V0-I; Anywhere Virtual Receptacle Outlet, Ivory
URD-V0-LA; Anywhere Virtual Receptacle Outlet, Light Almond
UCS-V0; Anywhere Scheduler-Timer Controller

Anywhere Virtual Accessory Switch (US1-V0) - Circuit Requirements

- Hot and neutral (black and white wire) power connections are required at switch locations.
- Controls incandescent, fluorescent, halogen, LED, magnetic and electronic low-voltage lighting transformers & ballasts (1 Watt Min., 900 Watts Max.). Ballasts for 120VAC Metal-halide or Mercury/Sodium fixtures may need to be isolated (see model: ZNF10A). Controls 120VAC/60Hz motors up to 7.5 Amps Max.
- Up to 4 separate virtual control zones can be used in a home, using the 4 available communication channels. Optionally, use Scheduler-Timer (model UCS) to expand, add secondary receive channel for 'All On/Off'.
- Installation of switches and devices should be on the same circuit (breaker) for maximum communication distance. If switches are on different circuits, they should be on the same phase power, i.e., both switches on phase A, or phase B circuit breakers.
- If using both phase A and B circuits, and the home has more than 1 breaker panels or is more than 2500 sq. ft, phase coupler is recommended for optimum performance, (see model ZPCI).
- Not intended for use in 3-phase (commercial/condo) applications unless the switches are on the same breaker or phase.

The Anywhere Series is not compatible with any of Simply Automated's PC-Configured, Pre-Configured, Simply Smart™, or other UPB or UPStart configured products.



Simply Automated, Incorporated

6108 Avenida Encinas, Suite B, Carlsbad, CA 92011

760-431-2100 / 800-630-9234

www.Simply-Automated.com

Email: sales@simply-automated.com

Tech Support: upbhelp@simply-automated.com