

Lamp (dimmer) Modules

Remotely Controlled Plug-In Modules for Dimmable Lighting or On/Off Loads

Advantages

- **Simple plug-in installation**
- **No new wires**
 - ▶ Receives UPB lighting scene commands over existing AC power lines
 - ▶ Controlled by UPB switches, multi-button controllers, scheduler-timer and PC / security / home automation controllers
- **UPB technology delivers...**
 - ▶ Exceptional reliability and noise immunity
 - ▶ Lowest installed cost compared to hardwired and RF solutions
 - ▶ No interference between adjacent homes
- **Easily configured or reconfigured with UPStart (PC) software**
 - ▶ makes moving and changing the module easy
 - ▶ includes UPStart Wizard for first time users

Features

- **Heavy duty / timer model: UML-20-W**
 - ▶ 1 Watt minimum 400 Watt maximum, configurable for on/off/dimming and 'auto-off' timer function
 - ▶ Supports incandescent, halogen, fluorescent, LED, low-voltage transformers, ballasts and motors - pump/fan
 - ▶ 3 conductor connection includes safety ground
 - ▶ Controlled outlet and always on convenience outlet
 - ▶ Switch sense trigger, turns on module when lamps' switch is turned on twice
- **Standard model: UML-E-W**
 - ▶ 1 Watt minimum 300 Watt maximum, configurable for on/off/dimming
 - ▶ Supports incandescent, halogen, fluorescent, LED, low-voltage transformers, ballasts and motors - pump/fan
 - ▶ 2 conductor controlled outlet connection
 - ▶ Switch sense trigger, turns on module when lamps' switch is turned on twice

For indoor or weather protected use only. Prices and specifications are subject to change without notice.

Simply Automated, Incorporated

6108 Avenida Encinas, Suite B, Carlsbad, CA 92011

Sales 800-630-9234 • Office 760-431-2100 • Fax 760-431-2101
sales@simply-automated.com www.Simple-Automated.com



The **UML series** are plug-in modules designed to dim 120VAC incandescent, halogen, LED lamps and low-voltage magnetic (and standard dimmable electronic) transformers based on lighting scene-link commands received over the power line. Dimming can be disabled for On/Off control of fluorescent lights, fans, motors and other non-dimmable loads. Lighting scene commands are communicated using the highly-reliable Universal Powerline Bus (UPB) technology. UPB devices such as switches, multi-button controllers and schedulers are easily integrated in to a new home or can replace switches and timers in an existing home. UPB technology requires no new or special wiring. The powerline network is created and devices are added and configured with UPStart (PC based) software. The solutions provide a flexible, low-costs alternative to hardwired or RF home lighting and automation strategies.

UML modules deliver on/off and dimming control for lamps (see model UMA, relay modules for outdoor lighting transformers, fan/pump motor control). Installation is simple: the module is plugged into a standard 120 VAC outlet and the lamp to be controlled is plugged into the bottom of the module. The model UML-20 includes an always on convenience outlet on the front; plus a powerful timer option, where scene-links can individually activate any of the timer presets (1, 5, and 30 seconds, 1, 2, 4, 10, 20, 30, 40, and 50 minutes, 1, 2, 3 and 4 hours). The connected lamp can be manually controlled by a UPB switch or multi-button controller, or automatically with a scheduler (model UCS-01), I/O module (model UMI) or with any PC / security / home automation controller that provides a UPB serial driver software option (see www.Simple-Automated.com/products/faqs for a current listing).

Manual scene-link modification capabilities are unique to Simply Automated US2 and US22 Dimmer-Controllers. Without using UPStart, a user can easily change existing scenes, adding or removing devices and adjusting light levels, by pressing rocker/buttons in a specific sequence (see model US2 and US22 User Guides for details).



Home Automation Made Simple.

Applications

Lamp modules provide a convenient solution to add controlled and timed-off lighting anywhere around the home. They can be moved from one outlet to another meeting present and future décor and lighting needs. If mobility of the module is not needed, consider using the fixture dimmer module (Model UFD). The most common use of the lamp module is to add one or more lamps in a room. They are controlled by a UPB switch or switches, scheduler-timer, security system, multi-button controller, or table-top pedestal (see module US28xTP). If the lamp module should be activated every time the lights in the room are activated, the single rocker US11-40-W could be used as an easy and economical solution. The single rocker can control the local load connected to the switch (e.g. ceiling light) as

well as the lamp module (e.g. nightstand lamps). If more flexibility is preferred, the multi-button/rocker (model US2) can be used to control the ceiling light (e.g. local load) as well as the lamp module by using different lighting scene-links for each button or rocker - including various timer presets. The scenes are typically configured to provide the desired lighting for the room's use. Examples include: bright lights (100%) for reading, ceiling light off and lamps dimmed at 50% for watching TV, all lights at 85% for entertaining, all lights at 15% for night lighting. Lamp modules are also very useful when integrated with a security system. An I/O (model UMI) can accept low-voltage or contact closure trigger inputs from the alarm system and send scene-links to turn on or off lamp modules in the event of an alarm or arm/disarm.

UML-20-W (heavy duty)

Specifications

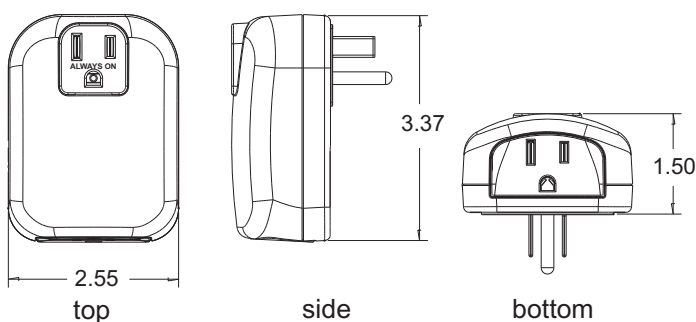
Power:	120VAC +/- 10%, 60Hz
Controlled Outlet:	Configurable for dimming or dimming disabled
Max Load:	400W at 120VAC (3.3A)
Min Load:	1W
Output Type:	Triac, 25A with timer
Operating Temperature:	30-120°F (0-50°C)
Physical:	
Dimensions:	3.4"H x 2.6"W x 1.5"D (86 x 65 x 38mm)
Weight:	5.6 oz (160g)
Mounting:	Plug-in

UML-E-W (standard)

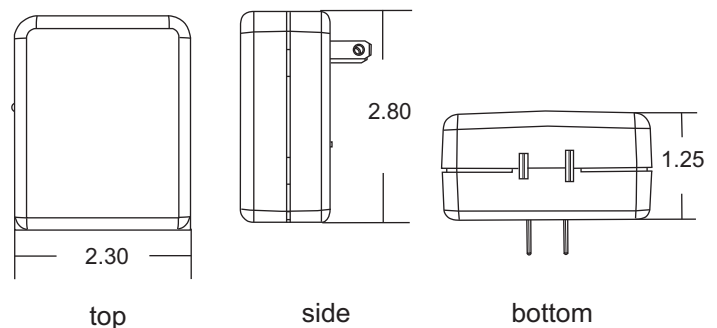
Specifications

Power:	120VAC +/- 10%, 60Hz
Controlled Outlet:	Configurable for dimming or dimming disabled
Max Load:	300W at 120VAC (2.5A)
Min Load:	1W
Output Type:	Triac, 25A
Operating Temperature:	30-120°F (0-50°C)
Physical:	
Dimensions:	2.8"H x 2.3"W x 1.25"D (71 x 59 x 30mm)
Weight:	5.6 oz (160g)
Mounting:	Plug-in

Dimensions (Inches)



Dimensions (Inches)



Simply Automated, Incorporated

6108 Avenida Encinas, Suite B, Carlsbad, CA 92011 USA
 800-630-9234 • Office 760-431-2100 • Fax 760-431-2101
sales@simply-automated.com www.Simply-Automated.com



Home Automation Made Simple.