

Anywhere Virtual Plug-In Relay Module

Remote Lighting and Appliance Control

- **Virtual Lighting and Appliance Control**

Anywhere Lighting and Appliance Accessory Plug-In Relay Module (UMA-V0) provides remote lighting and appliance control anywhere in your home.

Combine with Anywhere 3-Way Virtual Switch Kits (V3WAY) or Anywhere Switches (US1-V0, US2-V0) to control 1, 2, 3, 4, 5 or more lights or appliances throughout your home. Endless possibilities!

- **Easy to Use**

- Simply plug-in and you're ready to go
- Controlled outlet on bottom, pass through on front
- Controls lamps, appliances, pumps, motors, fans, heaters
- No new wires, advanced powerline communication technology – transmits over 1 mile on a 14 gage wire circuit

- **Professional Grade**

- Commercial grade virtual relay module accessory
- Heavy duty 3-prong plug-in accessory relay module
- 15 Amps 120V power
- Used by professional landscapers for lighting transformers

- **Powerful Easy to Install Expansion Capabilities**

Combine with one or more **Anywhere 3-Way Switch Kits (V3WAY)** or **Anywhere Switches (US1-V0, US2-V0)** for remote virtual lighting and appliance control throughout your home. Turn on/off lamps, appliances, pumps, motors, fans, heaters, anywhere in your home – living room lamp / fish pumps / room heater / fan / master bedroom lamp / holiday lighting. Endless possibilities...

Use 1, 2, 3 or more Anywhere Virtual Plug-In Relay Modules to control multiple lights or appliances remotely anywhere in your home. Use with Scheduler-Timer (UCS-V0) to automatically control lighting and appliances! Used by thousands of electricians and landscaping professionals to control a variety of loads and lighting transformers.

Additional expansion accessories items include Anywhere Virtual Controlled Receptacle Outlet (URD- V0) and Anywhere Virtual Fixture Relay Module (UFR-V0).



Anywhere Virtual Plug-In Relay Module
Remote Lighting and Appliance Control
Model: UMA-V0

DESCRIPTION

Model UMA-V0 Accessory The Anywhere Virtual Plug-In Relay Module is a heavy duty 3-prong plug-in relay module that delivers up to 15 Amps of (120VAC) power. A high quality, professional grade module for remote virtual lighting anywhere in your home.

Use 1, 2, 3 or more Anywhere Virtual Plug-In Relay Modules to control multiple lights or appliances remotely in your home. Combine with 1, 2 or more Anywhere 3-Way Switch Kits or Anywhere Switches for virtual lighting and appliance control throughout your home.

Turn on/off lamps, appliances, pumps, motors, fans, heaters, anywhere in your home – living room lamp / fish pumps / room heater / fan / master bedroom lamp / holiday lighting. Endless possibilities...

Use in conjunction with Scheduler-Timer (UCS) to add even more flexibility to automatically control lighting and appliances. The choice of landscaping professionals to replace rotary timers in landscape lighting transformers.

Up to four separate virtual control zones can be used in a home! Employs Simply Automated's advanced powerline communication technology. No radio frequency (RF) emissions, used in tens of thousands of homes.

The Anywhere Virtual Plug-In Relay Module is compatible with all Simply Automated's Anywhere Virtual Lighting Control switches and accessories. They can also respond to multiple channels (1-4), for functions like "All On/Off". For more information go to http://www.simply-automated.com/Anywhere_Virtual_3-way_Applications.php

Anywhere Virtual Appliance (Relay) Module

Model: UMA-V0

SPECIFICATIONS

Power: 120VAC +/- 10%, 60Hz (GFI/AFI compatible)

Controlled Bottom Outlet:

Max Load: 15 Amps at 120VAC or 1/3 HP motor

Output Type: contact closure

Operating Temperature: 30 to 120°F (0-50°C)

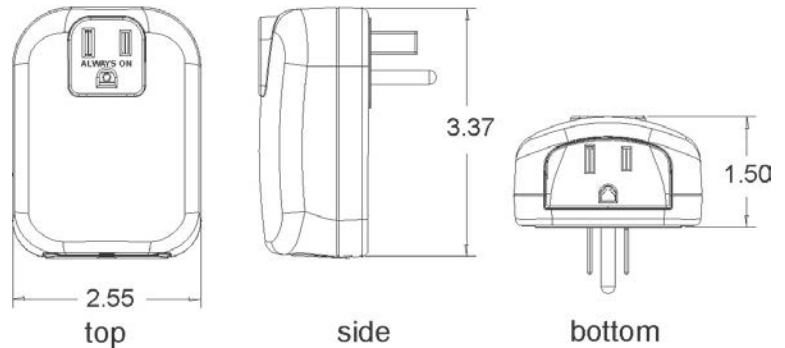
Physical:

Dimensions: 3.4'H x 2.6"W x 1.5D

Weight: 5.6 Oz. (135g) Net, 6.6 Oz. (172g) Gross

Mounting: Plug In

Dimensions (Inches)



For Indoor (or weather protected) Use Only

ORDERING INFORMATION

Model:

UMA-V0; Anywhere Virtual Plug-In Relay Module
US2-V02; Anywhere 2-Rocker Virtual Switch, White
US2-V03; Anywhere 3-Rocker Virtual Switch, White
US2-V04; Anywhere 4-Rocker Virtual Switch, White
US1-V0; Anywhere 1-Rocker Virtual Switch, White
UFR-V0; Anywhere Virtual Wire-In Relay Module
URD-V0-**; Anywhere Virtual Receptacle Outlet
** Specify receptacle color: "A" Almond, "I" Ivory,
"LA" Light Almond & "W" White

Accessory Models:

ZS11-*; Color Change Kit, (1) 1-Rocker Faceplate
ZS22-*; Color Change Kit, (1) 2-Rocker Faceplate
ZS23-*; Color Change Kit, (1) 3-Rocker Faceplate
ZS24-*; Color Change Kit, (1) 4-Rocker Faceplate
* Specify faceplate color: "A" Almond, "BK" Black, "BN" Brown
"I" Ivory, "LA" Light Almond & "W" White
V3WAY-A; Anywhere Virtual 3-Way Switch Kit (2, 1 rockers)
V3WAY-B; Anywhere Virtual 3-Way Switch Kit (1 & 2 rockers)
UCS-V0; Anywhere Scheduler-Timer Controller

Anywhere Virtual Switch and Plug-In Relay Module - Circuit Requirements

- Hot and neutral (black and white wire) power connections are required at Anywhere Switch (US1/US2) locations.
- Anywhere Switches and Modules control incandescent, fluorescent, halogen, LED, magnetic and electronic low-voltage lighting transformers & ballasts (1 Watt Min., 900 Watts Max.). Ballasts for 120VAC Metal-halide or Mercury / Sodium fixtures may need to be isolated (see model: ZNF10A). Controls 120VAC/60Hz motors up to 7.5A Max.
- Up to 4 separate virtual control zones can be used in a home, using the 4 available communication channels. Optionally, use Scheduler-Timer (model UCS) to expand, add secondary receive channel for 'All On/Off'.
- Installation of switches and devices should be on the same circuit (breaker) for maximum communication distance. If switches are on different circuits, they should be on the same phase power for maximum communication distance, i.e., both switches on phase A, or phase B circuit breakers (phase alignment).
- If using both phase A and B circuits, and the home has more than 1 breaker panels or is more than 2500 sq. ft, a phase coupler is recommended for optimum performance, (see model ZPCI).
- Not intended for use in 3-phase (commercial/condo) applications unless the switches are on the same breaker or phase.

The Anywhere Series is not compatible with any of Simply Automated's PC-Configured, Pre-Configured, Simply Smart™, or other UPB or UPStart configured products.



Simply Automated, Incorporated

6108 Avenida Encinas, Suite B, Carlsbad, CA 92011

760-431-2100 / 800-630-9234

www.Simply-Automated.com

Email: sales@simply-automated.com

Tech Support: support@simply-automated.com