



Home Automation Made Simple.

Anywhere Virtual Scheduler-Timer

Automatic Lighting & Appliance Control

• Virtual Lighting and Appliance Control

The Anywhere Virtual Scheduler-Timer (UCS-V0) allows you to automatically (or manually) turn on/off lights, appliances, pumps, motors, fans, or heaters anywhere in your home.

Combine with Anywhere 3-Way Virtual Switch Kits (V3WAY-A/B), Anywhere Switches (US1-V0, US2-V0), Anywhere Wire-In Relay Module (UFR-V0), Anywhere Plug-In Relay Module (UMA-V0), or Anywhere Receptacle Outlet (URD-V0) to control 1, 2, 3, 4, 5 or more lights or appliances throughout your home. Endless possibilities!

• Easy to Use

- Simple, intuitive up/down, enter, menu buttons
- Up to 32 settings, vacation mode option
- No batteries, maintains time for up to 1 week without power – never needs to be reset due to power outages
- Control lights, lamps, appliances, pumps, motors, fans, heaters

• Professional Grade

- Used in thousands of applications by professional landscapers, lighting dealers and installers
- Astronomical clock - knows sunrise/set for your location
- Replaces existing mechanical timers – includes receptacle mounting plug and 6' power cord
- No new wires, advanced powerline communication technology – transmits over 1 mile on a 14 gage wire circuit

• Powerful Easy to Install Expansion Capabilities

Combine with Anywhere 3-Way Virtual Switch Kit (V3WAY-A/B), Anywhere Switches (US1-V0, US2-V0), Anywhere Wire-In Relay Module (UFR-V0), Anywhere Plug-In Relay Module (UMA-V0), or Anywhere Receptacle Outlet (URD-V0) to control landscape lighting transformers, exterior security lighting, fountains and pond pumps, motors, fans or heaters anywhere around your home.

Allows you to automatically or turn on/off 1, 2, 3, 4, 5, or more lights or appliances anywhere in your home. Endless possibilities!



Anywhere Virtual Scheduler-Timer
Automatic Lighting & Appliance Control
Model: UCS-V0

DESCRIPTION

Model UCS-V0 The Anywhere Virtual Scheduler-Timer includes one (1) professional grade Scheduler-Timer, 6 foot power cord, and a right-angle plug for easy receptacle (120VAC / 60Hz) mounting. Replaces existing mechanical timers to provide virtual remote lighting & appliance control.

Incorporates a real-time astronomical clock that knows sunrise and sunset for your location (zip code or latitude/longitude). Maintains accurate time up to one week without power, if there is a power outage or seasonal change (daylight savings), there is no need to reset the clock. Automatically works as scheduled!

Easy to use buttons allows you to set time and events. Controls Anywhere Switches and Accessories using the 32 events, up to 10 communication channels.

Use the 'Add/Delete Channel' function to add a 'secondary' channels to Anywhere Switches and Accessories. This enables switches and accessories to respond to as many as four channels, enabling 'All On/Off' functions, separate scheduled controls and more...

Employs Simply Automated's advanced powerline communication technology. No radio frequency (RF) emissions, used in tens of thousands of homes.



Simply Automated, Incorporated

6108 Avenida Encinas, Suite B, Carlsbad, CA 92011

760-431-2100 / 800-630-9234

www.Simply-Automated.com

Email: sales@simply-automated.com

Tech Support: upbhelp@simply-automated.com

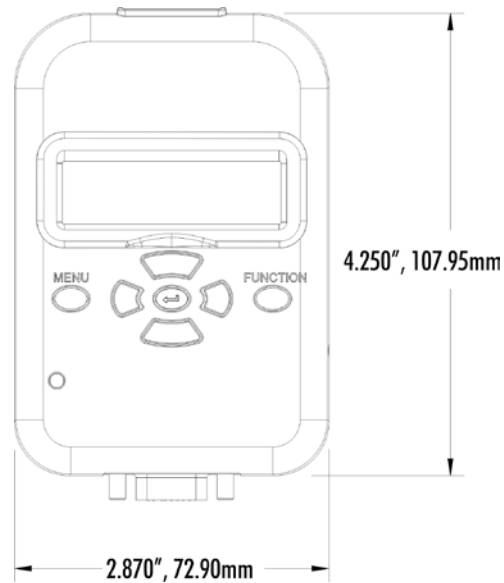
Anywhere Virtual Scheduler-Timer

Model: UCS-V0

SPECIFICATIONS

Power	120Volts AC, 60Hz, AFI/GFI compatible
Input Current	200mA
Operating Temp.	30 to 120°F (0-50°C)
Computer Interface	RS-232
Dimensions	4.5 x 2.9 x 1.0 inches 114 x 73 x 25 mm
Weight	Net: 11.4 Oz, 323g Gross: 13.6 Oz., 386g
Safety	Conforms to UL STD 60950 Certified to CAN/CSA STD C22.2 No. 60950-1-03

For Indoor (or weather protected) Use Only



ORDERING INFORMATION

Model: UCS-V0, Anywhere Scheduler-Timer Controller

Accessory Part Numbers:

V3WAY-A; Anywhere Virtual 3-Way Switch Kit
(V3WAY-A includes 2, US1-V0 1-Rocker Virtual Switches)
V3WAY-B; Anywhere Virtual 3-Way Switch Kit, 2-Rocker
(V3WAY-B includes 1, US1-V0 and 1, US2-V02 2-Rocker)
ZS11-*; Color Change Kit, (1) 1-Rocker Faceplate
ZS22-*; Color Change Kit, (1) 2-Rocker Faceplate
* Specify faceplate color: "A" Almond, "BK" Black,
"BN" Brown "I" Ivory, "LA" Light Almond & "W" White

US1-V0; Anywhere 1-Rocker Virtual Switch, White
US2-V02; Anywhere 2-Rocker Virtual Switch, White
US2-V03; Anywhere 3-Rocker Virtual Switch, White
US2-V04; Anywhere 4-Rocker Virtual Switch, White
UFR-V0; Anywhere Virtual Wire-In Relay Module
UMA-V0; Anywhere Virtual Plug-In Relay Module
URD-V0-**; Anywhere Virtual Receptacle Outlet
** Specify receptacle color: "A" Almond, "I" Ivory,
"LA" Light Almond & "W" White

Anywhere Virtual Switch and Scheduler-Timer - Circuit Requirements

- Hot and neutral (black and white wire) power connections are required at Anywhere Switch locations.
- Anywhere Switches control incandescent, fluorescent, halogen, LED, magnetic and electronic low-voltage lighting transformers & ballasts (1 Watt Min., 900 Watts Max.). Ballasts for 120VAC Metal-halide or Mercury/Sodium fixtures may need to be isolated (see model: ZNF10A). Controls 120VAC/60Hz motors up to 7.5 Amps Max.
- Up to 10 separate virtual control zones can be used in a home using the 10 available channels enabled by the UCS-V0.
- Installation of switches and devices should be on the same circuit (breaker) for maximum communication distance. If switches are on different circuits, they should be on the same phase power for maximum communication distance, i.e., both switches on phase A, or phase B circuit breakers (phase alignment).
- If using both phase A and B circuits, and the home has more than 1 breaker panel or is more than 2500 sq. ft, a phase coupler is recommended for optimum performance, (see model ZPCI).
- Not intended for use in 3-phase (commercial/condo) applications unless the switches are on the same breaker or phase.

The Anywhere Series is not compatible with any of Simply Automated's PC-Configured, Pre-Configured, Simply Smart™, or other UPB or UPStart configured products.



Simply Automated, Incorporated

6108 Avenida Encinas, Suite B, Carlsbad, CA 92011

760-431-2100 / 800-630-9234

www.Simply-Automated.com

Email: sales@simply-automated.com

Tech Support: upbhelp@simply-automated.com