

UPB Scene Controllers

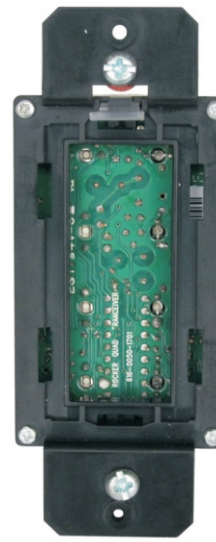
Controls and Tracks Lighting Scenes/Devices
with 4-buttons and 4-status LEDs

Advantages of Universal Powerline Bus (UPB)

- **No new wires**
 - ▶ Multi-packet communication over existing power lines
 - ▶ Transmits and receives UPB lighting scenes
 - ▶ 2 to 250 UPB devices per network, and 250 scenes
- **UPB technology delivers...**
 - ▶ Exceptional reliability and noise immunity
 - ▶ Lowest installed cost compared to hardwired and RF solutions
 - ▶ No interference between adjacent homes
- **Easily configured or reconfigured with UPStart (PC) software**
 - ▶ Makes changing lighting scenes and control quick and easy
 - ▶ Includes UPStart Wizard for first time users

Features

- **Four green LEDs provide scene link status indication**
 - ▶ Indicates when lighting scenes are on or off
 - ▶ Can track and indicate load status, as well as scenes
 - ▶ Eight scene link presets control LED functions
 - ▶ LED functions: On, Off, Opposite, or No Change
- **Four Buttons for lighting scene control**
 - ▶ Turn On, Off, or Dim scenes or other UPB devices
 - ▶ Choose button mode: On, Off, Toggle, Multi-button, etc...
 - ▶ Control any UPB dimmers or relays in the home
- **SimplySmart™ manual scene link changes**
 - ▶ Add or delete devices from scene with 7 or 8 button taps
 - ▶ Adjust linked devices' light level and save with 7 tap
- **Interchangeable faceplate assemblies**
 - ▶ Change color in the field
 - ▶ Choose Oval or Thin-Bar buttons
 - ▶ Custom label buttons and LEDs with ZLK-01S label kit
- **Thinner depth profile allows easy installation**
- **UL and CSA listed per ETL #3058914**
- **Push-button choices and faceplate color options:**
choose Oval button faceplate (ZS24OS Series) or Thin-Bar faceplate (ZS24BS Series) in the standard colors; White, Almond, Light Almond, Ivory, Black or Brown



Model: UCQT-40



Model UCQT-40-W

SimplyBrilliant® UCQT-40 is a UPB Transceiver Switch Base, which requires a 4-button faceplate. Oval button (ZS24OS Series) and Thin-Bar button (ZS24BS Series) faceplates are sold separately, easily changed in the home, and available in white, almond, light almond, ivory, black or brown. The model UCQT-40-W includes a white, oval button faceplate (Model ZS24OS-W) attached to the UCQT-40 switch base. Custom label kits are available (model ZLK-01S), so the buttons and status LEDs can be easily labeled to identify the lighting scene. The UCQT Series also fits nicely in the Tabletop Pedestal accessory (model ZTP2-W or -BK, white or black) and is available as an assembled unit (model USQT). It is great for bedside lighting control and status of outdoor lights.

The UCQT-40 Series transmits and receives UPB lighting scene links. It has no local light-circuit output (see model US2-40 for up to 900W local load control, or model US22-40 for dual dimmer outputs, 2x550W max.). It is used as a UPB lighting scene controller, and provides ultra-reliable control of any UPB dimmer or relay devices. The UCQT also listens for and receives lighting scenes allowing the status LEDs to track and indicate the state of scenes, or individual UPB device loads. Extremely flexible with 8 LED status receive presets, the 4-LEDs can be set to show which lights are on or off; inside or outside the home. It can also transmit and receive lighting scene commands and status with other Universal Powerline Bus (UPB) controllers including any PC / security / home / automation systems that provide a UPB serial driver option (see www.simply-automated.com/faq/application.php for a current listing) – to control virtually anything that connects to AC power anywhere in the home.

SimplySmart™ manual scene link modification capabilities are unique to Simply Automated devices. A user can easily change existing scenes, adding or removing devices and adjusting light levels, by pressing buttons/rockers in a specific sequence (see [User Guide](#) for details) without using UPStart.



Home Automation Made Simple.

Simply Automated, Incorporated

6108 Avenida Encinas, Suite B, Carlsbad, CA 92011 USA
800-630-9234 • Office 760-431-2100 • Fax 760-431-2101
sales@simply-automated.com www.Simply-Automated.com

Applications

The UCQT-40 Scene Controller is used when there is a need to show that lighting scenes or loads are active or not. It is most useful when the lights being controlled are not clearly visible from the location of the scene controller. Examples of this include outdoor lighting, multi-story or large homes. The most common locations for scene controllers include the master bedroom or entry/exits. From the master bedroom the scene controller could provide control and status of exterior security lighting or to see if there maybe lights on in other areas of the home (e.g. down stairs). Entry and exit locations are good to control 'welcome home' or 'away' scenes, outdoor garden or holiday lighting, as well as outhouse type lighting (e.g. detached garage, pool house, dock, etc...).

Scene controllers are also used as UPB transmitters, since they do not have an output circuit to control a local load. They can be used in retrofit applications, remodels or new home construction. In new construction UPB dimmers or relay modules are used to control power to the load circuits, and the UCQT controls those UPB devices. For new home construction the Electrician's wiring design ensures proper wiring for scene controllers and circuit-load controllers.

Retrofitting scene controllers require the help of UPB dimmer or relay module since every switch position in a home usually controls a local circuit load. The most common way to use scene controllers in retrofit applications is in combination with the UPB Dual Dimmer (model [US22-40](#)). The Dual Dimmer makes retrofitting scene controllers quite easy. If there is a dual junction box (j-box) with two switches controlling two loads, the dual dimmer can replace the two load switches using half the dual j-box, and the scene controller will fit in the other half of the j-box. No difficult re-wiring is required, while scene control and lighting status is gained. Retrofit of a UCQT in a single-gang j-box is possible with the help of a UPB fixture dimmer (model [UFD](#)) or relay module (model [UFR](#)). Fixture modules are designed to fit in a hidden junction box or wired in behind a light fixture. The scene controller can be wired-in to replace an existing load controlling switch, where the load switch leg is connect to (always) hot at the scene controller j-box. And, the other end of the switch leg powers the fixture module at the load/fixture j-box, which is connected to and controls power to the load. The scene controller is then used to control the fixture module along with any other scenes, UPB dimmer or relay switches. Another common retrofit application for the scene controllers is using the Tabletop Pedestal (model [USQT](#)) housing. The tabletop pedestal is designed to fit the scene controller well, and is portable; so it can be plugged-in and rest on a nightstand, desk, work-bench or used anywhere an outlet is available.

For help with your application please call or write Simply Automated or your local [Distributor](#) or [Dealer](#). We'll be happy to help.

Simply Automated, Incorporated

6108 Avenida Encinas, Suite B, Carlsbad, CA 92011 USA
 800-630-9234 • Office 760-431-2100 • Fax 760-431-2101
sales@simply-automated.com www.Simply-Automated.com

Specifications

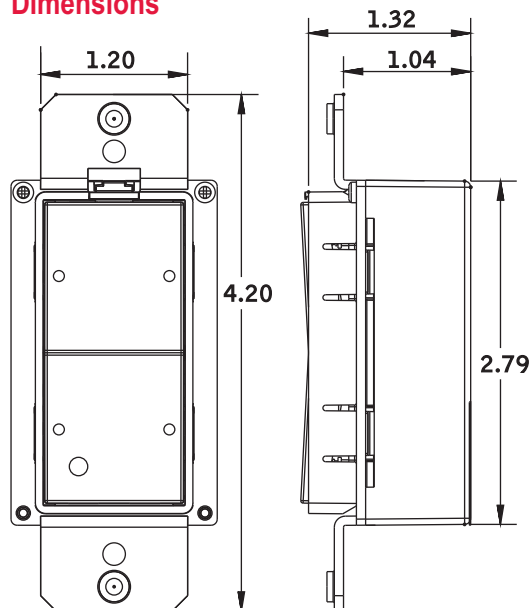
Power:	120VAC +/- 10%, 60Hz	
Max Load:	Not Applicable, no output circuit	
Connections:	2, 6" stranded pigtails, #16 AWG for power/neutral	
Wiring:	Black	AC Line
	White	AC Neutral
Operating Temperature:	30-120°F (0-50°C)	

Physical:

Dimensions:	4.2"H x 1.7"W x 1.0"D (107 x 43 x 41mm)
Weight:	3.8 oz (108g)
Mounting:	standard J-box

Prices and specifications are subject to change without notice.

Dimensions



Home Automation Made Simple.