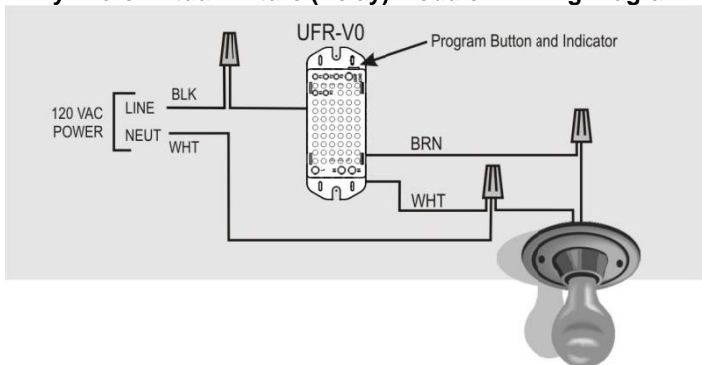


Anywhere Virtual Wire-In Fixture (relay) Module provides remote fixture and appliance control anywhere in the home. Combine with Anywhere 3-Way Virtual Switch Kit (V3WAY-A) or Anywhere Switch (US1-V0) to control 1, 2, 3, 4, 5 or more lights or appliances throughout the home.

- **ON/OFF control of one wire-in 12Amp circuit**
- **GFI/AFI Compatible**
- **Manually controlled from one or more Anywhere switches (US1-V0) – requires hot and neutral**
- **Automatically or manually controlled from a Scheduler-Timer (UCS)**
- **Configurable for separate control using the four (4) available communication channels**
- **Any number of Anywhere switches or modules can be used on a single channel**
- **Compatible with LED, incandescent, Halogen, fluorescent, low-voltage lighting transformers and motors - pump/fan (12 Amps Max.)**
- **Vapor (Sodium/Mercury) or metal-halide lights may require isolation (model ZNF10A-W) filters.**

IMPORTANT!
Read This Before Installing!

Anywhere Virtual Fixture (Relay) Module – Wiring Diagram



Anywhere Virtual Fixture (Relay) Module - controlled by Anywhere Switches (US1-V0 / V3WAY) or Scheduler-Timer (UCS)

FUNCTION

Model UFR-V0 Anywhere Virtual Fixture (Relay) Module turns On/Off 120 VAC circuits, for lighting, appliances and fan/pump motor loads, when commanded to do so by the Anywhere Virtual Switch Accessory (US1-V0) or the Scheduler-Timer (UCS). The Anywhere switch US1-V0 is used to replace existing mechanical switches and uses the existing switch wires (white neutral wire required) to control the Anywhere Virtual Accessory. No traveler wires or batteries needed. The Scheduler-Timer can automatically or manually control one or more fixture modules simultaneously or individually using the four (4) available communication channels. The Anywhere Virtual Remote Lighting

Control Switches and Accessories offer a cost effective alternative for the professional electrician – versus running costly new wiring or using wireless 3-way consumer DIY options that do not always work.

The professional grade Anywhere Virtual Switches and Accessories employ Simply Automated's advanced powerline communication technology. This technology is safe and reliable. It has no radio frequency (RF) emissions, and is used reliably in tens of thousands of homes with no adverse affects to appliances, stereo equipment, ham radios, cordless phones, wireless RF modems/devices, computer equipment or other home automation technology like the much less reliable X10. In fact the technology is employed in freeway bridge applications spanning over a mile. The Anywhere Virtual Fixture Module is compatible with Simply Automated's "Anywhere" switches and accessories, including: Anywhere Switch (US1-V0), controlled receptacle (URD-V0), and plug-in (UMA-V0) relay modules. 'Anywhere' switches and accessories are **not compatible (will not talk to or work) with any of Simply Automated's PC-Configured, Pre-Configured, SimplySmart™, or other UPB or UPstart configured product solutions.**

IMPORTANT SAFETY INSTRUCTIONS

When using electrical products, basic safety precautions should always be followed, including the following:

1. READ AND FOLLOW ALL SAFETY INSTRUCTIONS.
2. Installation should be performed by a qualified electrician.
3. Keep away from water. If product comes into contact with water or other liquid, disconnect power immediately.
4. Never use products that have been dropped or damaged.
5. Do not use this product outdoors.
6. Do not use this product for other than its intended use.
7. Do not connect multiple lamps or appliances that, when combined, exceed the maximum load ratings of the product.
8. To avoid risk of fire, burns, personal injury and electric shock, install this product out of reach of small children.
9. Do not cover the product with any flammable material when in use.
10. SAVE THESE INSTRUCTIONS.

INSTALLATION

The Fixture Relay Module is designed for indoor use with devices (light fixtures, appliances, motors, etc...) that are permanently wired into the home electrical system. To install the UFR module:

1. Locate the device/circuit to be controlled. Note that the device/circuit power rating must not exceed 12 amps.
2. Disconnect power at the circuit breaker.
3. Remove any existing ceiling or wall fixture hardware for the device to be controlled. Disconnect the black wire that supplies power to the device/circuit.
4. Using a wire nut, connect the black (Line) wire of the fixture module to the black (Line) power wire. Make sure all wire-nut connections are tight and strong for reliable performance.
5. Using a wire nut, connect the white (Neutral) wire of the fixture module to the white (Neutral) power wire and the white wire from the device to be controlled.
6. With a wire nut, connect the brown load wire of the UFR to the black power wire of the device to be controlled.
7. Refer to instructions on CHANGING CHANNELS before placing the fixture module in its final location, as it may be

necessary to have access to the program switch in order to change the channel and test its operation. Temporarily restore power in order to test or change channels. Disconnect power again before screwing module into junction box.

- To test/use the module, go to an installed US1-V0 Anywhere Switch set to channel #1 (default), press and release the top rocker one time to turn on the switch and controlled receptacle. Press and release the bottom rocker one time to turn off the switch and relay module (or other Anywhere Accessories).
- To test with a UCS Scheduler-Timer, plug in the scheduler timer and set the time, date, day of the week, location and network ID (249). Set an event for channel #1 [E.g. Event 1 channel 1 is "01)001" and event 2 channel 1 is "02)001"]. Set the On-time, Off-time, AM/PM and level to "LA". Press enter to save the event and then quickly press enter again to toggle the Anywhere devices, on channel 1, On/Off. When an event in the UCS is displayed and the cursor is on the event number, pressing Enter toggles the event On/Off for manual control (e.g. select event then toggle).
- Once proper operation is established, fit the module into the outlet box or otherwise secure it using screws or wire ties. Reinstall fixture hardware as needed and retest.

CHANGING CHANNELS

If separate 'sets', or lighting 'zones', of Anywhere Virtual Remote Lighting Controls will be used on the properties' power service, then the separate 'set' of switches and accessories will need to be configured for a channel other than #1 (default). There are four (4) available channels to use and changing them is easy. To change the channel used by the Anywhere switches and accessories, do the following:



CAUTION: Do not insert metal objects into the module, especially into the program switch hole, while it is connected to power.

- Go to the module. Press and hold the program button down (approximately 6 seconds) until the status LED flashed green, then release the button. Status LED indicator should be flashing green.
- Tap the program button 2 times quickly for channel #2 (or 3 times for channel #3, or 4 for channel #4). The LED will stop flashing.
- Repeat steps 1 and 2 for the other modules or switch(s) that need to communicate on the desired channel. Make sure to tap in the same channel number quickly (less than 1 second per tap).
- Test the switches and modules to make sure they are communicating on the same channel and controlling each other. If there is some issue between the modules/switches, try entering the channel number (for all modules/switches using the specific channel #) again, using steps 1 and 2 above.

ADD/DELETE SECONDARY CHANNEL (All On/Off)

The Scheduler-Timer (model UCS) can add a second 'receiver' channel to Anywhere Switches and Accessories. This enables control from two different channels. For example, if an All On/Off function was desired when two Anywhere Accessories were being controlled separately (channel 1 & channel 2) by a UCS, then adding channel 3 as the secondary channel to both units would allow them to be turned on/off together. The UCS can add any one of 10 channels as the secondary channel number. In addition if an Anywhere Switch was set on channel 3 then it could control the secondary (All On/Off) channel 3 of the units described above. Note: Anywhere Switches transmit/control channels 1-4, while the UCS can transmit/control

channels 1-10. In addition the UCS can delete both the primary and secondary 'receive' channels of Anywhere Switches and Accessories so they can be changed to any other 'receive' channel (1-10). The UCS enables manual and automatic (scheduled) control of up to 10 zones (channels).

FACTORY DEFAULT SETTINGS

To restore the module or switch to the original factory default settings (e.g. Channel #1), tap the program button (or switch rocker) 5 times quickly. The LED will flash green. Then tap the program button (or rocker) 10 times quickly. The LED will flash red (switch will flash blue). Tap the program button 2 times quickly and the LED will stop flashing. At this point the module (or switch) is reset to channel #1.

TROUBLE SHOOTING

Simply Automated's Powerline technology is extremely robust. Using large low frequency pulses in a patented pulse position modulation protocol, they can overcome power line noise and capacitive attenuation in most (98%) applications. In the event that the switches/modules are set for the same channel, but are not communicating (i.e. switch not turning module on/off), here are steps to diagnose and resolve the issue:

- Are the LED indicators lit on both the switch and the module, indicating the switch and module are powered?
 - If the switch's indicator is not lit, make sure the switch's Power Disconnect (LED light pipe) is pressed in. If necessary, check hot and neutral wire-nut connections and circuit breaker state.
 - If the module's LED indicator is not lit, make sure the AC Hot and Neutral is powered (e.g. check circuit breaker state or connect an AC test probe to test). The module's LED will shine GREEN when the module's output is on and RED when the output is OFF.
- Do both the switch and modules LEDs change to green when turning from off to on? If not, check the switch and the module's hot and neutral wire-nut connections making sure the connections are tight and strong for good communication.
- If both the switch and module's LEDs change state when pressing the top/bottom of switch rocker, then check the connected loads.
 - On the module, make sure the lamp/load is connected to the brown output wire. If applicable, make sure the switch on the lamp/load is turn to the ON position.
 - On the switch, check the brown load wire connection to the fixtures' switch leg, and if necessary the light fixture and bulb. A volt meter or power indicator probe is helpful in confirming switch leg power vs. bulb/fixture fault.

At this point the switch should turn its' connected/wired lighting circuit on/off (if connected to a local load circuit). If the switch is not controlling the fixture module, double check they are on the same channel (try resetting to factory default). If the switch still doesn't control the module(s) there would appear to be a communication issue; and phase alignment (changing circuit breaker connections so the switch and module are on the same phase – both on A or both on B phase breakers), or phase coupling (Model ZPCI) may be needed. For addition trouble shooting assistance, please call or write Simply Automated Technical Support at 800-630-9234 / 760-431-2100 (Ext. 138) or Support@Simply-Automated.com