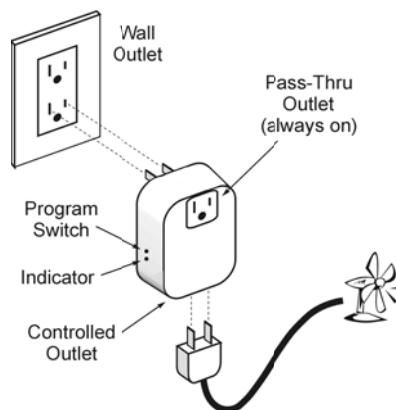


**Add to (control with) Anywhere Virtual 3-Way Switch Kit or Virtual Accessory Switch for 3-way virtual remote lighting/load control. A heavy duty, professional grade, plug-in Appliance (Relay) Module for remote control of low-voltage transformers, appliances, lighting and fan/pump motors.**

- **ON/OFF control of one plug-in 15Amp circuit**
- **GFI/AFI Compatible**
- **Manually controlled from one or more Anywhere switches (US1-V0) – requires hot and neutral**
- **Automatically or manually controlled from a Scheduler-Timer (UCS)**
- **Configurable for separate control using the four (4) available communication channels**
- **Any number of Anywhere switches or modules can be used on a single channel**
- **Compatible with LED, incandescent, Halogen, fluorescent, low-voltage lighting transformers and motors - pump/fan (15 Amps Max.)**
- **Vapor (Sodium/Mercury) or metal-halide lights may require isolation (model ZNF10A-W) filters.**

**IMPORTANT!**  
**Read This Before Installing!**

Anywhere Appliance (Relay) Module – connections and features



## FUNCTION

**Model UMA-V0** Anywhere Virtual Appliance (Relay) Module turns On/Off 120 VAC appliances, lighting and fan/pump motor loads when commanded to do so by the Anywhere Switch (US1-V0) or the Scheduler-Timer (model UCS). The US1-V0 is used to replace existing mechanical switches and uses the existing switch wires (white neutral wire required) to control Anywhere Virtual Appliance (Relay) Accessory. No traveler wires or batteries needed. The Scheduler-Timer can automatically or manually control one or more appliance modules simultaneously or individually using the four (4) available communication channels. The Anywhere Virtual Remote Lighting Control Switches and Accessories offer a cost effective alternative for the professional electrician – versus running costly new wiring or using wireless 3-way consumer DIY options that do not always work.

The professional grade Anywhere Virtual Switches and Accessories employ Simply Automated's advanced powerline communication technology. This technology is safe and reliable. It has no radio frequency (RF) emissions, and is used reliably in tens of thousands of homes with no adverse affects to appliances, stereo equipment, ham radios, cordless phones, wireless RF modems/devices, computer equipment or other home automation technology like the much less reliable X10. In fact the technology is employed in freeway bridge applications spanning over a mile. The Anywhere Virtual Appliance Module is compatible with Simply Automated's "Anywhere" switches and accessories, including: Anywhere Switch (US1-V0), controlled receptacle (URD-V0), and wire-in (UFR-V0) relay modules. 'Anywhere' switches and accessories are **not compatible (will not talk to or work) with any of Simply Automated's PC-Configured, Pre-Configured, SimplySmart™, or other UPB or UPStart configured product solutions.**

## IMPORTANT SAFETY INSTRUCTIONS

1. READ AND FOLLOW ALL SAFETY INSTRUCTIONS.
2. Keep away from water. If product comes into contact with water or other liquid, unplug immediately.
3. Never use products that have been dropped or damaged.
4. Do not use this product outdoors – without a NEMA 4 enclosure.
5. Do not use this product for other than its intended use.
6. Do not connect multiple lamps or appliances that, when combined, exceed the maximum load ratings of the product.
7. To avoid risk of fire, burns, personal injury and electric shock, install this product out of reach of small children.
8. Do not cover the product with any material when in use.
9. This product uses polarized plugs and sockets (one blade is wider than the other) to reduce the risk of electric shock. These plugs and sockets fit only one way. If they do not fit, consult a technician. Do not use with an extension cord unless plugs can be fully inserted. Do not alter plugs.
10. SAVE THESE INSTRUCTIONS.

## INSTALLATION

The Anywhere Virtual Appliance Module is designed for indoor use (or in a NEMA enclosure for outdoor use) with devices that plug into a power outlet. To install the UMA-V0 module:

1. Locate the appliance or lamp/load to be controlled and unplug it from the wall outlet. Plug the UMA module into the wall outlet (see illustration on left).
2. Plug the appliance or lamp/load into the socket on the **bottom** of the module. The appliance rating must not exceed 15 Amps.
3. Turn the appliance or lamp/load power switch ON.
4. If desired, another device can be plugged into the socket on the **front** of the module, which is always powered.



**CAUTION:** Do not insert metal objects into the module, specifically the program switch, while it is connected to power.

5. To test/use the module, go to an installed US1-V0 Anywhere Switch set to channel #1 (default). Press and release the top of the US1 switch rocker to turn module ON. Press and release bottom of switch rocker to turn module OFF.
6. To test/use the module with a Scheduler-Timer (UCS), set the network ID of the UCS-01 to 249 and password to FFFF (Note: UCS-V0 does not need/have a Network ID setting).

- On the UCS, configure an event for channel #1. For example, event 1, channel 1 is "01)001" or event 2, channel 1 is "02)001". Set days of the week to ON (capital letters). Set desired ON/OFF times, plus AM/PM. Set the level to "LA". Press "Enter" on the UCS to save the event. Quickly press Enter again to toggle the event ON, and again to toggle OFF. When an event in the UCS is displayed and the cursor is on the event number, pressing Enter toggles the event On/Off for manual control (e.g. select event then toggle).

## CHANGING CHANNELS

If separate 'sets', or lighting 'zones', of Anywhere Remote Lighting Controls will be used on the properties' power service, then the separate 'set' of switches and accessories will need to be configured for a channel other than #1 (default). There are four (4) available channels to use and changing them is easy. To change the channel used by the Anywhere switches and accessories, do the following:

- Go to the module. Press and hold the program button down (approximately 6 seconds) until the status LED goes out, then release the button. Status LED indicator should be flashing green.
- Tap the program button 2 times quickly for channel #2 (or 3 times for channel #3, or 4 for channel #4). The LED will stop flashing.
- Repeat steps 1 and 2 for the other modules or switch(s) that need to communicate on the desired channel. Make sure to tap in the same channel number quickly (less than 1 second per tap).
- Test the switches and modules to make sure they are communicating on the same channel and controlling each other. If there is some issue between the modules/switches, try entering the channel number (for all modules/switches using the specific channel #) again, using steps 1 and 2 above.

## ADD/DELETE SECONDARY CHANNEL (All On/Off)

The Scheduler-Timer (model UCS) can add a second 'receiver' channel to Anywhere Switches and Accessories. This enables control from two different channels. For example, if an All On/Off function was desired when two Anywhere Accessories were being controlled separately (channel 1 & channel 2) by a UCS, then adding channel 3 as the secondary channel to both units would allow them to be turned on/off together. The UCS can add any one of 10 channels as the secondary channel number. In addition if an Anywhere Switch was set on channel 3 then it could control the secondary (All On/Off) channel 3 of the units described above. Note: Anywhere Switches transmit/control channels 1-4, while the UCS can transmit/control channels 1-10. In addition the UCS can delete both the primary and secondary 'receive' channels of Anywhere Switches and Accessories so they can be changed to any other 'receive' channel (1-10). The UCS enables manual and automatic (scheduled) control of up to 10 zones (channels).

## FACTORY DEFAULT SETTINGS

To restore the module or switch to the original factory default settings (e.g. Channel #1), tap the program button (or switch

rocker) 5 times quickly. The LED will flash green. Then tap the program button (or rocker) 10 times quickly. The LED will flash red (switch will flash blue). Tap the program button 2 times quickly and the LED will stop flashing. At this point the module (or switch) switch is reset to channel #1.

## TROUBLE SHOOTING

Simply Automated's Powerline technology is extremely robust. Using large low frequency pulses in a patented pulse position modulation protocol, they can overcome power line noise and capacitive attenuation in most (98%) applications. In the event that the switches/modules are set for the same channel, but are not communicating (i.e. switch not turning module on/off), here are steps to diagnose and resolve the issue:

- Are the LED indicators lit on both the switch and the module, indicating the switch and module are powered?
  - If the switch's indicator is not lit, make sure the switch's Power Disconnect (LED light pipe) is pressed in. If necessary, check hot and neutral wire-nut connections and circuit breaker state.
  - If the module's LED indicator is not lit, make sure the outlet being used is powered (e.g. plug in a lamp to test or check circuit breaker state). The module's LED will shine GREEN when the module's output is on and RED when the output is OFF.
- Do both the switch and module's LEDs change to green when turning from off to on? If not, check the switch's hot and neutral wire-nut connections making sure the connections are tight and strong for good communication. Similarly the module should fit tightly in the receptacle's socket; if the receptacle holds the appliance module loosely, the receptacle may need to be replaced (or wire to screw-connections of receptacle checked).
- If both the switch and module's LEDs change state when pressing the top/bottom of switch rocker, then check the connected loads.
  - On the module, make sure the lamp/load is connected to the bottom outlet, not the 'Always On' front outlet. Make sure the switch on the lamp/load is turned to the ON position.
  - On the switch, check the brown load wire connection to the fixtures' switch leg, and if necessary the light fixture and bulb. A volt meter or power indicator probe is helpful in confirming switch leg power vs. bulb/fixture fault.

At this point the switch should turn its' connected/wired lighting circuit on/off (if connected to a local load circuit). If the switch is not controlling the appliance module, double check they are on the same channel (try resetting to factory default). If the switch still doesn't control the module(s) there would appear to be a communication issue; and phase alignment (changing circuit breaker connections so the switch and module are on the same phase – both on A or both on B phase breakers), or phase coupling (Model ZPCI) may be needed. For additional trouble shooting assistance, please call or write Simply Automated Technical Support at 800-630-9234 / 760-431-2100 (Ext. 138) or [Support@Simply-Automated.com](mailto:Support@Simply-Automated.com)