



Dedicated Remote (3/4 Way) Switch Base OBSOLETE - Model USR-40 (see new USR-40A)

Provides 3-way or multi-way ON/OFF or dimming control for these devices:

- SimplyBrilliant™ UPB Dimmer-Controller, models US1 and US2
- UPB Fixture Dimmer and Relay Modules, models UFD & UFR
- UPB Receptacle, model URD-

IMPORTANT!
Read Before Installing!

- SimplyBrilliant incandescent dimmers **cannot be used to dim FLUORESCENT, ELECTRONIC LOW-VOLTAGE or METAL HALIDE lighting, unless specifically allowed by the lighting manufacturer. Please see instructions to configure this product for ON/OFF operation with these types of lighting.**
- **DO NOT WIRE HOT! Permanent damage may result. Improper installation voids the warranty.**



Model USR-40 shown without rocker faceplate

FUNCTION

The Dedicated Remote Switch Base, model USR-40, provides remote 3-way or multi-way ON/OFF or dimming actuation for SimplyBrilliant UPB Dimming Switches, plus fixture and receptacle modules that include a remote “traveler wire” connection. The USR base unit can accept a model ZS11 or ZS12 single or dual-rocker faceplate. The model USR1-W assembled remote switch has a white, model ZS11, single rocker installed.

IMPORTANT SAFETY INSTRUCTIONS

When using electrical products, basic safety precautions should always be followed, including the following:

1. READ AND FOLLOW ALL SAFETY INSTRUCTIONS.
2. Installation should be performed by a qualified electrician.
3. Keep away from water. If product comes into contact with water or other liquid, disconnect immediately.
4. Never use products that have been dropped or damaged.
5. Do not use this product outdoors.
6. Do not use this product for other than its intended use.
7. Do not install in areas that can exceed 120°F (e.g., in an attic).
8. Do not cover the product with any material when in use.
9. SAVE THESE INSTRUCTIONS.

DEDICATED REMOTE SWITCH INSTALLATION

The SimplyBrilliant Dedicated Remote Switch base (USR-40) is designed to be installed in a junction box that is wired to a readily accessible over-current protection device in the building wiring per NEC and CEC electrical codes.



CAUTION: DO NOT WIRE THIS DEVICE WITH POWER CONNECTED. Injury or permanent damage to the device may result. Improper installation voids the product warranty.

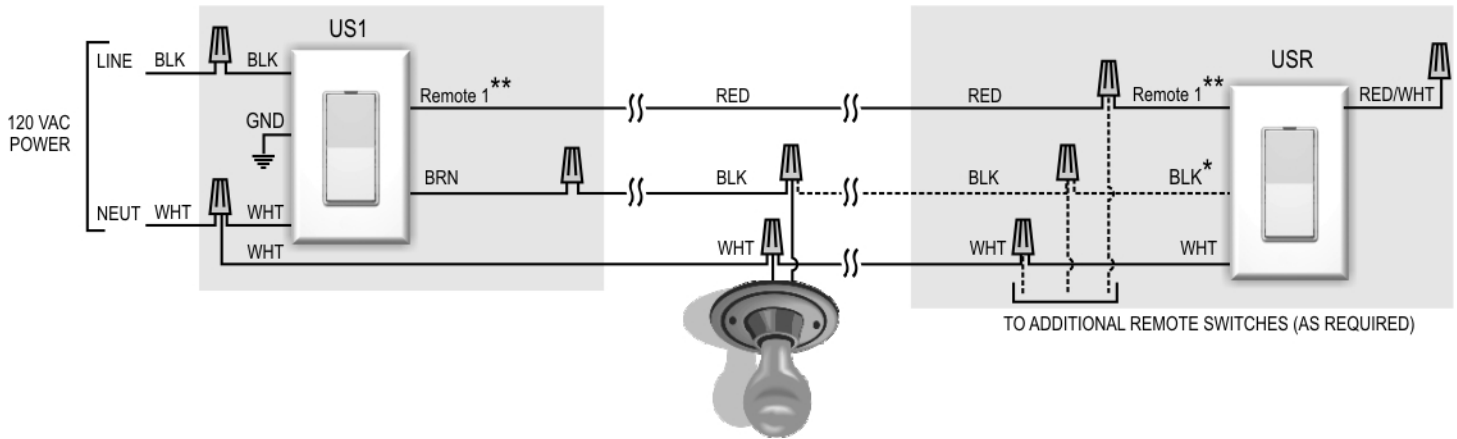
To install a USR-40 Dedicated Remote switch for 3- or more-way control:

1. Locate the remote switch that is connected to the master wall switch.
2. Disconnect power at the circuit breaker.
3. Remove the existing wall switch hardware. Disconnect the wires to the existing 3-way switch.
4. Refer to the appropriate wiring diagram on the next page. Using a wire nut, connect the white (Neutral) wire of the USR-40 to any white (Neutral) power wire.
5. Strip the insulation on the traveler wire that extends to the master switch according to the “STRIP GAUGE” on the USR housing, then insert the wire into the hole marked “REMOTE 1” of the USR-40.
6. To use the second switch of a dual remote configuration, strip the insulation on the traveler wire that extends to the second master switch according to the “STRIP GAUGE” on the USR housing, then insert the wire into the hole marked “REMOTE 2” of the USR.
7. OPTIONAL: Using a wire nut, connect the black wire of the USR-40 to the switched load wire or to the black (Line) power wire. This powers the LED indicator. If connected to the switched load wire, the LED will illuminate when the load is on. If connected to line power, the LED will always be on.
8. Cap off any unused wires with a wire nut to prevent shorting.
9. Mount the switch inside the J-box using existing screws. **DO NOT OVER TIGHTEN SCREWS.**
10. Reconnect power at the circuit breaker.



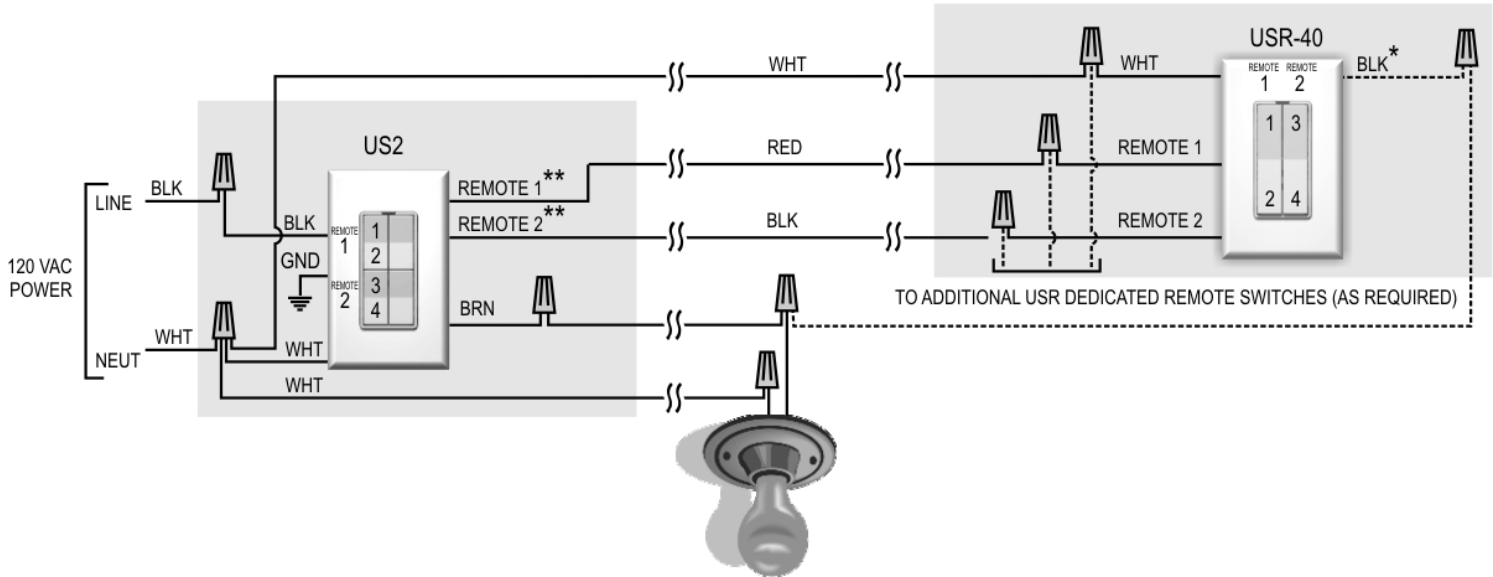
STANDARD 3-WAY (OR MULTI-WAY) INSTALLATION

This diagram shows a 3-way wiring configuration in which a USR-40 (or older model USR) remote switch controls the load connected to a US1 dimmer-controller switch. Additional remote switches may be added in parallel for multi-way control.



DUAL-ROCKER 3-WAY (OR MULTI-WAY) INSTALLATION

If a multi-rocker faceplate is installed on a US2, by default from the factory, the connected load will be controlled by the top-left rocker. All other rockers on the switch act as UPB transmitters. If a dual-rocker faceplate is installed on a USR-40, it is possible to wire a 3-way (or multi-way) circuit such that the top-left rocker (or buttons 1 & 2 on a multi-button) and bottom-left rocker (or buttons 3 & 4) of the US2 will connect with the two rockers on the USR-40.



NOTE:

* Connect the black wire of the USR-40 (brown on older model USR) as shown to enable operation of the LED indicator. This wire is not required for switch operation, and can be omitted if a third wire is not available. Cap the black wire if not used.

** Some versions of US1 and US2 models used "traveler" wires instead of the "Remote" connections identified above. In cases where wires are present, "Remote 1" is a Brown/White wire and "Remote 2" is a Red/White wire. The USR-40 can connect to these US1 and US2 "traveler" wires in the same way as the Remote connections identified above.