



## UPB Scene Controller Base with 4-status LEDs (model UCQT-40), or UPB Scene Controller with white, 4-oval button, faceplate (model UCQT-40-W)

Controls and tracks lighting scenes/devices with 4-buttons and 4-status LEDs

**IMPORTANT!**  
**Read This Before Installing!**

- **DO NOT WIRE HOT!** Permanent damage may result. Improper installation voids the warranty.
- The UCQT-40 has no local light-circuit output to power a load.
- It controls and tracks UPB load controlling devices via UPB scene links.
- For a complete list of UPB Load Controlling Devices please visit [www.Simple-Automated.com/products/products.php](http://www.Simple-Automated.com/products/products.php)

Model UCQT-40-W shown with a custom label (from model [ZLK-01S](#) label kit - sold separately)



### FUNCTION

The SimplyBrilliant® UPB Scene Controller Base (model UCQT-40) and Scene Controller Base with 4-oval button and 4-lightpipe faceplate (model UCQT-40-W), control and track status of UPB lighting scenes and UPB devices. UPB dimmer, relay and low-voltage I/O devices provide direct load circuit control and remote control of permanently-installed new or existing lighting fixtures, lamps, appliances and other electrical devices. Since the Scene Controller does not have an output to provide direct load circuit control, a Dual Dimmer or Fixture Module may be needed in retrofit applications (see the INSTALLATION section for more details).

To change color, the 4-button faceplate with 4-lightpipes for the UCQT is easily removed and replaced within the home. Faceplates are available with oval (ZS24OS Series) or thin-bar (ZS24BS Series) buttons in 6 standard colors: white, almond, light almond, ivory, brown and black.

With [UPStart](#) UPB configuration software and a Computer Interface Module ([UMC Series](#)), the 4-buttons of the UCQT can be configured to dim, fade-up/down, turn on/off, blink, activate devices' countdown timer and GoTo light level via UPB lighting scene links. The UCQT LEDs have 8 presets (i.e. receive components) to support up to 8 scene links. These presets define the functions (on, off, opposite and no change) of each of the 4-LEDs for each scene. This allows the LEDs to be configured to indicate the status of a scene, and if desired... indicate the state an individual UPB device within the scene (e.g. scene is off but and individual device within the scene was turned on).

### IMPORTANT SAFETY INSTRUCTIONS

When using electrical products, basic safety precautions should always be followed, including the following:

1. READ AND FOLLOW ALL SAFETY INSTRUCTIONS.
2. Installation should be performed by a qualified electrician.
3. Keep away from water. If product comes into contact with water or other liquid, disconnect immediately.

4. Never use products that have been dropped or damaged.
5. Do not use this product outdoors.
6. Do not use this product for other than its intended use.
7. Do not connect multiple lamps that, when combined, exceed the maximum load rating of the product, de-rated for multi-gang boxes.
8. Do not install in areas that can exceed 120°F (e.g., in an attic).
9. To avoid the risk of overheating and possible damage to other equipment, do not use this product to control a receptacle.
10. Do not cover the product with any material when in use.
11. SAVE THESE INSTRUCTIONS.



**CAUTION: DO NOT WIRE THIS DEVICE WITH POWER CONNECTED.** Injury or permanent damage to the device may result. Improper installation voids the product warranty.

### INSTALLATION

The SimplyBrilliant® UPB Scene Controller (UCQT-40) is designed to be installed in a junction box that is wired to a readily accessible over-current protection device in the building wiring per NEC and CEC electrical codes.

**Note:** Since the UCQT-40 does not directly control a circuit load, other UPB devices are need for load circuit control. If the switch junction box (j-box) position being used for the Scene Controller has a load circuit (i.e. switch-leg) that needs to be turned on/off/dimmed, then consider the following:

- For a multi (gang) switch j-box use a UPB Dual Dimmer ([model US22](#)) adjacent to the UCQT Scene Controller, to control two circuit loads from one j-box position.
  - For a single (gang) switch j-box use a [UPB Fixture Dimmer or Relay Module](#) at the light fixture j-box or in a retrofitted j-box behind or above the light fixture. This usually requires the switch leg to be wired to (always) hot at the switch j-box in order to deliver power to the fixture module, at the fixture (or retrofit j-box); where the fixture module controls the switch leg from that point.
  - For a switch position that is part of a 3-way or 4-way circuit, the master UPB load controlling switch will need to be in one of the other 3/4-way j-boxes powering the load switch-leg. A button on the UCQT can then be used to control that circuit with a scene link.
1. Locate the existing wall switch for the lighting to be controlled.
  2. Disconnect power at the circuit breaker.
  3. Remove the existing wall switch hardware. Disconnect the wires to the switch. If a switch leg at this location needs to be controlled, see Note above.
  4. Remove the yellow "INSTALL WITH CARE" label, if attached to UCQT base.
  5. Using a wire nut, connect all white (Neutral) wires together.
  6. Using a wire nut, connect the black (Line) wire of the UCQT to the black (Line) power wire.
  7. Mount the switch inside the J-box using captive screws. **DO NOT OVER TIGHTEN THE SCREWS.**
  8. Reconnect power at the circuit breaker.

### CONFIGURATION

Configuration requires UPStart UPB setup/configuration software and a model UMC Computer Interface Module. Before using UPStart configuration software, be sure to [download the latest version](#) from the Simply Automated website. First time users should also download and follow the [Quick Start Guide](#) and use the Installation Wizard available in UPStart to save time.

### SETUP MODE

When configuring a UPB system, it is necessary to place the UCQT in SETUP mode in order to initiate self-identification on the powerline. To place the UCQT in SETUP mode, press (tap) any button 5 times quickly. The power LED indicator at the top of the unit will continuously blink GREEN when the device is in SETUP mode. To exit SETUP mode and enter NORMAL mode, tap any button two (2) times quickly; the power LED will stop flashing.



## UCQT DEFAULT SETTINGS

Below are the firmware default settings for the UCQT. To restore the default settings, place the UCQT in SETUP mode, then tap any button 10 times. The indicator will continuously blink RED. Tap any button two times to exit RESET mode.

Network Name	"Network 1"
Room Name	"New Room Name"
Device Name	"New UCQT-40"
Unit ID	50
Network ID	255
Network Password	1234
Transmit Links	Button 1-4 = Links 001-004
Receive Links	Presets 1-4 = Links 001-004; LEDs 1-4 ON (respectively), and Presets 5-8 = Unused

## OPERATION

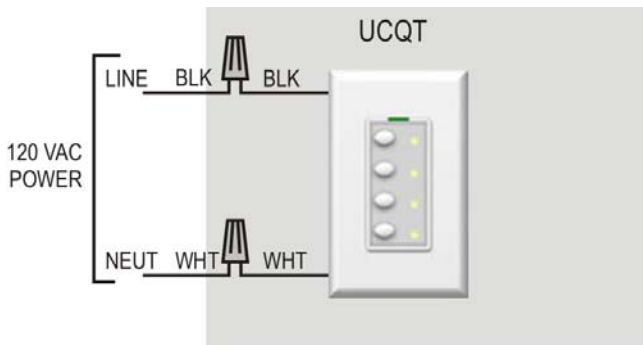
The default setting for the button mode is 'Super Multi-button'. Unless otherwise configured, button actuators behave as follows:

Button Event	Scene Controller Action
	Button (default)
Single-Tap	Activate Scene Link
Double-Tap	Deactivate Scene Link
Hold	Start dim fading at Default Rate; toggles between fading up or down
Release	Stops fading and holds current level

- By linking a UCQT button to a (non-dimming) UPB Receptacle, Appliance Module or Relay Module, the connected load can be turned ON by tapping the button once and OFF by tapping the button twice.
- By linking a UCQT to a (dimming) UPB Switch, Lamp or Fixture Dimmer Module, the connected load can be controlled according to the table above.

Countdown timer functions are available in all Simply Automated UPB products, except model US2-40, UML/A-E and UMI-32. The timer functions are options of the receiving device and can be activated by any scene link or scene link transmitter, like the UCQT-40. Scene links activated by rocker/button taps or another controller can turn ON the load and preset the timer period. The countdown timer automatically turns OFF at the end of the period. The available preset times are: 1 Sec., 5 Sec., 30 Sec., 1 Min., 2 Min., 4 Min., 10 Min., 20 Min., 30 Min., 40 Min., 50 Min., 1 Hr., 2 Hrs. 3 Hrs. and 4 Hrs. The default setting for timer devices is: Timer Off.

## STANDARD INSTALLATION



## INSTALLING/CHANGING FACEPLATES

The UCQT SimplyBrilliant® Scene Controller is designed with a removable actuator faceplate, making it possible to change color in the field without disconnecting the switch from the wall.

### To install a faceplate assembly, do the following:

- Hold the rocker faceplate assembly so that clear plastic light pipe (LED) on the switch fits nicely into the recess on the top of the rocker.
- Align the four prongs on the side of the rocker assembly with the four slots on the switch body.
- With equal pressure on the top and bottom of the faceplate, squeeze prongs as you press it into the switch body. Ensure that all four prongs are fully inserted and latched into the switch body. If all four prongs are not fully latched, the rocker/button plungers may not function properly.
- Exercise each rocker/button several times to ensure proper seating and operation. If the rocker or button doesn't operate properly, remove and re-install the faceplate to check proper seating and operation.

### To remove the faceplate assembly to change color, do the following:

- Remove the wall plate from the switch.
- Using the thumb and index finger, press the top two prongs of the rocker faceplate assembly inward so that they unlatch from the switch body. This will release the top of the rocker assembly.
- Press the two lower prongs inward, and pull the faceplate assembly away and slightly downward from the switch body, moving it away from the clear plastic light pipe.
- Once the old rocker faceplate is removed, follow steps 1-4 above for instructions on installing a new rocker faceplate assembly.

## MANUAL SCENE CREATION & MODIFICATION

Once the UCQT-40 has been initially configured, it is possible to make scene changes without configuration software.

- To create a scene for one of the UCQT-40 actuator buttons, set all scene devices to the desired light levels and then place them in SETUP mode. Tap the scene actuator (e.g. button 1) on the UCQT exactly 7 times to create the scene and store the light levels.
- To add a device to an existing scene, activate the scene and set the light level on the device to be added. Place the device in SETUP mode and tap the scene actuator on the UCQT exactly 7 times to modify the scene.
- To remove a device from an existing scene, place the device to be removed in SETUP mode. Tap the scene actuator on the US2 exactly 8 times to modify the scene.
- To change light levels on an existing scene, set the levels as desired and tap the scene actuator on the UCQT exactly 7 times to modify the scene.

## TROUBLESHOOTING

PROBLEM	PROBABLE CAUSE	SOLUTION
Master switch is wired properly but has no power. (LED indicator is OFF)	Circuit breaker is open, not closed providing power.	Go to the circuit breaker panel and make sure the circuit breaker is in the on position. If it is on and the power LED is still not lit, then check for 120VAC at the wire nuts connecting power to the Scene Controller.
Push button actuator doesn't transmit scene link (cannot hear faint buzz indicating transmission).	Actuator faceplate may not be seated properly on the switch body.	Exercise actuator several times to ensure proper seating and operation. If necessary, remove and replace faceplate to ensure proper seating and operation.
	No Scene Link programmed into transmit component table.	Open the network file with UPStart, double click on device's icon to open Edit Device window. Check transmit component table to make sure the button preset has a link (i.e. not 'unused').
Buttons stick or don't actuate properly when pressed.	Mounting screws may be too tight or j-box may be deformed, causing the switch body to warp.	Loosen mounting screws to relieve pressure on the switch housing.
	Actuator button springs may have backed out of their correct location during shipping.	Exercise actuator button several times to ensure proper seating and operation. If necessary, remove and replace faceplate to ensure proper seating and operation.