

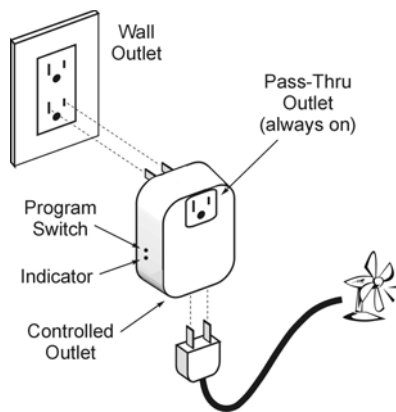
FUNCTION

The Appliance Module, model UMA, turns 120VAC appliances and fluorescent lamps ON and OFF based on digital commands received over the power wiring from a remote UPB (Universal Powerline Bus) controller. UPB controllers and modules can be freely located anywhere in the home. No additional wiring is required and no radio frequency signals are used for communication.

INSTALLATION

The Appliance Module is designed for indoor use with devices that plug into a power outlet. To install the UMA module:

1. Locate the appliance or fluorescent lamp to be controlled and unplug it from the wall outlet. Plug the UMA module into the wall outlet (see illustration below).
2. Plug the appliance or fluorescent lamp into the socket on the **bottom** of the module. The appliance rating must not exceed 12 amps.
3. Turn the appliance or fluorescent lamp power switch ON.
4. If desired, another device can be plugged into the socket on the **front** of the module, which is always powered.



CAUTION: Do not insert metal objects into the module while it is connected to power.

IMPORTANT SAFETY INSTRUCTIONS

When using electrical products, basic safety precautions should always be followed, including the following:

1. READ AND FOLLOW ALL SAFETY INSTRUCTIONS.
2. Keep away from water. If product comes into contact with water or other liquid, unplug immediately.
3. Never use products that have been dropped or damaged.
4. Do not use this product outdoors.
5. Do not use this product for other than its intended use.
6. Do not connect multiple lamps or appliances that, when combined, exceed the maximum load ratings of the product.
7. To avoid risk of fire, burns, personal injury and electric shock, install this product out of reach of small children.
8. Do not cover the product with any material when in use.
9. This product uses polarized plugs and sockets (one blade is wider than the other) to reduce the risk of electric shock. These plugs and sockets fit only one way. If they do not fit, consult a technician. Do not use with an extension cord unless plugs can be fully inserted. Do not alter plugs.
10. SAVE THESE INSTRUCTIONS.

CONFIGURATION

1. To configure the UMA and assign it to one or more controllers, **please refer to instructions for the controller.**
2. When configuring a UPB system, it may be necessary to place the UMA in SETUP mode. To do this, press the Program Switch (see illustration) five times rapidly using a non-metallic toothpick. The indicator will continuously blink GREEN when the unit is in SETUP mode. To exit SETUP mode, press the Program Switch once or wait five minutes.

OPERATION

The Appliance Module operates according to commands sent by the controller. The indicator on the module will glow RED when the controlled outlet is OFF and GREEN when the outlet is ON.

Two manual override features allow the connected lamp to be turned ON & OFF locally. The first method is to simply turn the lamp ON, OFF and back ON again using the lamp's ON/OFF switch. The UMA will sense the lamp's switch changes and output power. The second method of enabling the manual override is by pressing and holding the Program Switch on the UMA for at least three seconds. The indicator will continuously blink RED. The appliance can now be turned ON and OFF by pressing the Program Switch. Press and hold the Program Switch again for at least three seconds to exit from manual override.

UPB FACTORY DEFAULT SETTINGS

To restore the following default settings, place the UMA in SETUP mode and then press the Program Switch ten times. Press the switch twice again to exit this mode.

Network Name	"Network 1"
Room Name	"New Room Name"
Device Name	"New UMA"
Unit ID	2
Network ID	255
Network Password	1234