



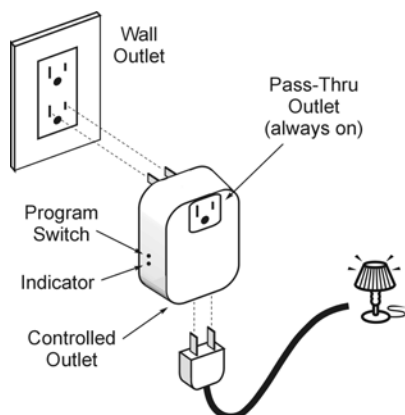
## FUNCTION

The Lamp Module, model UML, operates 120VAC incandescent lamps based on digital commands received over the power wiring from a remote UPB (Universal Powerline Bus) controller. The module will dim lamps ON and OFF (and timed OFF), and can have dimming disabled to control non-dimmable loads such as fluorescent lights or fan/pump motors. UPB controllers and modules can be freely located anywhere in the home. No additional wiring is required and no radio frequency signals are used for communication.

## INSTALLATION

The Lamp Module is designed for indoor use with incandescent lamps that plug into a power outlet. **DO NOT** use this module with fluorescent lamps, unless configured for ON/OFF functionality ONLY (no dimming) prior to plugging in the fluorescent lamp. To install the UML module:

1. Locate the lamp to be controlled and unplug it from the wall outlet. Plug the UML module into the wall outlet (see illustration below).
2. Plug the lamp into the socket on the **bottom** of the module. The lamp rating (or the combined rating of multiple connected lamps) must not exceed 400 watts.
3. Turn the lamp switch ON.
4. If desired, another device can be plugged into the socket on the **front** of the module, which is always powered.



**CAUTION:** Do not insert metal objects into the module, specially the program switch, while it is connected to power.

## IMPORTANT SAFETY INSTRUCTIONS

When using electrical products, basic safety precautions should always be followed, including the following:

1. READ AND FOLLOW ALL SAFETY INSTRUCTIONS.
2. Keep away from water. If product comes into contact with water or other liquid, unplug immediately.
3. Never use products that have been dropped or damaged.
4. Do not use this product outdoors.
5. Do not use this product for other than its intended use.
6. Do not connect multiple lamps that, when combined, exceed the maximum load ratings of the product.
7. To avoid risk of fire, burns, personal injury and electric shock, install this product out of reach of small children.
8. Do not cover the product with any material when in use.
9. This product uses polarized plugs and sockets (one blade is wider than the other) to reduce the risk of electric shock. These plugs and sockets fit only one way. If they do not fit, consult a technician. Do not use with an extension cord unless plugs can be fully inserted. Do not alter plugs.
10. SAVE THESE INSTRUCTIONS.

## CONFIGURATION

1. Configuration requires UPB setup/configuration software, called [UPStart](#), and a model [UMC](#) Computer Interface Module. Before using UPStart configuration software, be sure to [download](#) the latest version from the Simply Automated website. First time users should also download and follow the [Quick Start Guide](#) and use the Installation Wizard available in UPStart to save time.
2. When adding a UML to a UPB system, it will be necessary to place the UML in SETUP mode. To do this, press the Program Switch (see illustration) five times rapidly using a non-metallic toothpick or ink pen. The indicator will continuously blink GREEN when the unit is in SETUP mode. To exit SETUP mode, press the Program Switch once or wait five minutes.

## OPERATION

The Lamp Module operates according to commands sent by the controller. The indicator on the module will glow RED when the controlled outlet is OFF and GREEN when the outlet is ON.

Two manual override features allow the connected lamp to be turned ON & OFF locally. The first method is to simply turn the lamp ON, OFF and back ON again using the lamp's ON/OFF switch. The UML will sense the lamp's switch changes and output power. The second method of enabling the manual override is by pressing and holding the Program Switch on the UML for at least three seconds. The indicator will continuously blink RED. The lamp can now be turned ON and OFF by pressing the Program Switch. Press and hold the Program Switch again for at least three seconds to exit from manual override.

A Timer function is available in the UML. Controller commands can turn ON the UML and load a preset Timer period. The UML automatically turns OFF at the end of the period. The available preset times are: 1 Sec., 5 Sec., 30 Sec., 1 Min., 2 Min., 4 Min., 10 Min., 20 Min., 30 Min., 40 Min., 50 Min., 1 Hr., 2 Hrs. 3 Hrs. and 4 Hrs.

## UPB FACTORY DEFAULT SETTINGS

To restore the following default settings, place the UML in SETUP mode and then press the Program Switch ten times. Press the switch twice again to exit this mode.

<b>Network Name</b>	"Network 1"
<b>Room Name</b>	"New Room Name"
<b>Device Name</b>	"New UML"
<b>Unit ID</b>	1
<b>Network ID</b>	255
<b>Network Password</b>	1234