



Getting Started

Appliance (Relay) Module Accessory For Models UMA25 and UMA26



Model UMA25



Model UMA26

Simply Automated Pre-Configured SimplySmart™ Series

Utilizes SimplySmart™ technology to make installation a breeze.

No computer programming required!

Simple-n-easy, ready to use lighting control.





Getting Started Appliance (Relay) Module Accessory For Models UMA25 and UMA26

Simply Automated Pre-Configured SimplySmart™ Series

Utilizes SimplySmart™ technology to make installation a breeze.

No computer programming required! Simple-n-easy, ready to use lighting control.

IMPORTANT SAFETY INSTRUCTIONS

When using electrical products, basic safety precautions should always be followed, including the following:

1. READ AND FOLLOW ALL SAFETY INSTRUCTIONS.
2. Keep away from water. If product comes into contact with water or other liquid, disconnect immediately.
3. Never use products that have been dropped or damaged.
4. Do not use this product outdoors, unless protected by a weatherproof enclosure.
5. Do not use this product for other than its intended use.
6. Do not connect multiple appliances / loads that, when combined, exceed the maximum load rating of the product.
7. To avoid risk of fire, burns, personal injury and electric shock, install this product out of reach of small children.
8. Do not install in areas that can exceed 120°F (e.g., in an attic).
9. Do not cover the product with any material when in use.
10. This product uses polarized plugs and sockets (one blade is wider than the other) to reduce the risk of electric shock. These plugs and sockets fit only one way. If they do not fit, consult a technician. Do not use with an extension cord unless plugs can be fully inserted. Do not alter plugs.
11. SAVE THESE INSTRUCTIONS

Section 1: Very Important Pre-Installation Notes

- Your home should be no more than 2500 square feet and have only one breaker panel. A phase coupler is required in some home installations; especially homes > 2500 square feet or homes with more than 1 breaker panel. See Section 5 for more information.
- Not intended for use in multi-dwelling (condo, apartment) buildings with 3-phase power.
- Do not reset to factory default configuration, pre-configured settings will be lost.
- [UPStart](#) software and a [computer interface module](#) or Scheduler-Timer can be used with a PC for customizing pre-configured units and checking performance.

Section 2: Installation of Appliance (Relay) Module

Locate an electrical load you would like to turn ON/OFF. Plug the appliance module into an outlet, then plug-in to the socket on the bottom of the appliance module an electrical load, such as outdoor low-voltage lighting transformer, appliance, pump/fan/motor or lights. Note, the convenience outlet on the front of the appliance module is always ON and is not ON/OFF controlled. If there is an ON/OFF switch on the electrical load, then turn the load switch ON. Repeat this process as needed for additional appliance modules. You're done with the installation process! If necessary, please refer to the User Guide enclosed in the appliance module product box, or see http://www.simply-automated.com/documents/452-0013-0101_RevF_UMA_UserGuide_090512.pdf.

Test the Appliance Module using a 4-button scene controller. Button 3 of the Tabletop Controller with 4-buttons (and Deluxe Dimmer with 4-buttons) is programmed from the factory to turn on each device (dimmers, receptacles and modules) at a 100% dim level. Button 4 is programmed from the factory to turn off each device (dimmers, receptacles and modules).

- Button 3 turns on/off each appliance module: Press (tap) button 3 one time to turn on each appliance module, press (quickly tap) two times to turn off each appliance module.
- Button 4 turns off each appliance module: Press (tap) button 4 one time to turn off each appliance module.

Helpful Hint: If tapping a button does not turn on a connected load, make sure the load is connected to the bottom receptacle of the module (not the front). Make sure the electrical load's ON/OFF switch is turned ON. Tapping should be done quickly ensuring contact is made from the button to the base sensor.



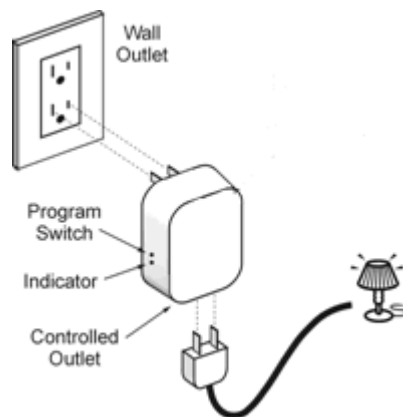
Test Appliance Module and Load Manually. If a Scheduler-Timer or Scene Controller with 4- or 8-buttons is not available then you can manually turn ON/OFF appliance (relay) modules using the program switch (see illustration):

- Go to the location of the appliance/relay module (e.g. #25). Using a non-metallic toothpick press and hold the program switch until the indicator flashes red.



CAUTION: When pressing the program switch do not insert any metal object (paperclip) into the module while it is connected to power.

- While the indicator is flashing red, press the program button once to toggle ON and a second time to toggle OFF. Repeat as desired to ensure the load is connected and functioning properly. The connected electrical load should turn ON and OFF as the program button is toggled.
- When done testing the relay module and electrical load, press and hold the program button until the indicator stops flashing (or wait 5 minutes and the indicator will time out and stop flashing). The relay module and load are now tested and ready to be controlled by the scheduler-timer, or other pre-configured scene controllers.
- Repeat as necessary for additional appliance modules.



Helpful Hint: If the electrical load does not turn ON/OFF, make sure it is plugged into the bottom of the appliance module (not the front). Make sure the electrical load's ON/OFF switch is turned ON. Tapping should be done quickly ensuring contact is made from the button to the base sensor.

Important Note: Each appliance relay module has a unique ID number. You can find the ID number on the back of each module. The appliance module accessories addressed in this guide will have ID #25 or ID #26. This is important information to note as it relates to operation with the Scheduler-Timer accessory.

Section 3: Editing Buttons (Scenes) on Tabletop Controller (or Deluxe Dimmer) with 4- or 8-Buttons

Each button on the Tabletop Controllers with 4- or 8-buttons (or Deluxe Dimmers with 4-buttons) controls a SCENE that can easily be edited from the factory pre-sets. You can change the dimmers' levels or number of modules controlled by each button to create your own custom scenes!

Section 3.a. Adding an Appliance Module

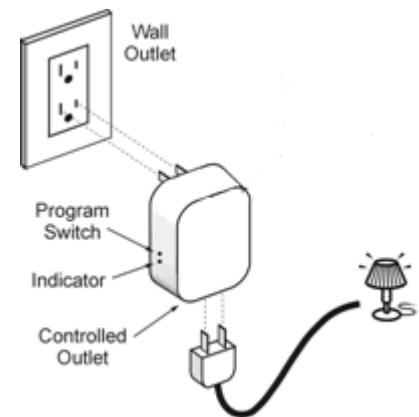
Button 1. To add an appliance/relay module to button 1:

- Go to the Tabletop Controller (or Deluxe Dimmer), press button 1 to activate the scene. If any other devices were previously set to be controlled by button 1, check to make sure they are ON.
- Go to the appliance module to be added. Press and hold the program switch (see illustration) until the indicator on the appliance module flashes red.



CAUTION: When programming the lamp module, do not insert any metal object (paperclip) into the module while it is connected to power.

- Press the program switch to toggle ON the appliance module and the connected electrical load. The load plugged into the bottom of the appliance module should be ON.
- Press and hold the program switch to turn off the flashing red indicator (or wait 5 minutes for the indicator to time out and turn off).
- Go to the appliance module to be added, press (quickly tap) the program switch 5 times using a non-metallic toothpick to place in the program mode. The indicator will continuously blink green to confirm the appliance module is in the program mode.
- Go to the Tabletop Controller (or Deluxe Dimmer), press (quickly tap) button 1 seven times. You have created a new scene!



Helpful Hint: If tapping button 1 does not turn ON the appliance module, the electrical load's switch may be in the OFF position. Go to the electrical load and turn ON using the load's ON/OFF switch, repeat the steps outlined above. Tapping should be done quickly ensuring contact is made from the button to the base sensor.

Button 2. To add an appliance module to button 2, follow the instructions outlined above in Section 3.a. noting you will need to press (tap) button 2 seven times to program the new scene.

Helpful Hint: After tapping five times, appliance module will stay in the program mode for approximately 5 minutes. You can always confirm if the appliance module is in the program mode by checking for a blinking green light next to the program switch. If the indicator is not flashing green, to place in the program mode, quickly tap the program switch five times. To exit the program mode, quickly tap the program switch two times.

Helpful Hint: The Tabletop Controller (or Deluxe Dimmer) can inadvertently be placed in the program mode by tapping a button five times. The indicator above button 1 will continuously blink green for five minutes. To exit the programming mode, quickly tap the button two times.

Section 3.b. Deleting an Appliance Module

If you would like to edit a scene and delete an appliance module from any button:

- Go to appliance module you would like to delete, press (quickly tap) the program switch (see illustration) 5 times using a non-metallic toothpick to place in the program mode. The indicator will continuously blink green to confirm the appliance module is in the program mode.



CAUTION: When programming the appliance module, do not insert any metal object (paperclip) into the module while it is connected to power.

- Go to the Tabletop Controller (or Deluxe Dimmer), press (quickly tap) the button you would like to delete the appliance module from eight times.

Helpful Hint: If you press (tap) a button and the appliance module you deleted still turns on, repeat the two steps outlined above. Tapping should be done quickly ensuring contact is made from the button to the base sensor.

Helpful Hint: You may add or delete as many devices as you like at one time by putting them in the program mode at the same time. Note when adding devices to a scene or changing dim level in a scene make sure the scene is activated first (i.e. press the button 1 time), before changing dimmer levels or adding a device.



Getting Started Appliance (Relay) Module Accessory For Models UMA25 and UMA26

Section 3.c. Editing Buttons 3 or 4

Buttons 3 or 4. Button 3 is programmed to turn on all appliance modules. Button 4 is programmed to turn off all appliance modules. We recommend not editing these buttons since all devices (up to ten dimmers / modules) in the Pre-Configured SimplySmart™ Series have similar settings -- one tap of button 3 turns all devices on, one tap of button 4 turns all devices off. This pre-programming is a very powerful and convenient feature using both the Tabletop Controller with 4- or 8-buttons and Deluxe Dimmer with 4-buttons. Examples include entering a home (button 3 for ALL ON), leaving a home (button 4 for ALL OFF), bedside for security and nighttime convenience (button 3 for ALL ON or button 4 for ALL OFF).

Important Note: Buttons 1 and 2 operate independently for the Tabletop Scene Controller Accessories (models USQT22, US2TP11 and US28OTP23) and the Tabletop Controller included with the Lamp Starter Kit (model DKIT-02) allowing one touch button control of more than 14 unique custom scenes. Create one scene for button 1 of the Tabletop Controller Accessory (model USQT22) and a second scene for button 1 of the Tabletop Controller from the Lamp Starter Kit (model DKIT-02). Create a third scene for button 2 of the Tabletop Controller Accessory (model USQT22) and a fourth scene for button 2 of the Tabletop Controller from the Lamp Starter Kit (model DKIT-02). And, the 8-button Tabletop Controller (model US28OTP23) has 6 independent buttons available for custom scene control.

Editing Buttons 3 and 4. Button 3 is programmed from the factory to turn ON all appliance modules, dimmers and accessories. Button 4 is programmed from the factory to turn OFF all devices. To edit these buttons for appliance modules follow the procedures in Section 3.a and 3.b.

To make button 3 available for an independent scene and edit button 4 so that it turns all devices ON/OFF (instead of just off):

- Go to the Tabletop Controller (or Deluxe Dimmer), press button 3 to activate the 'All ON' scene. Any modules or dimmers configured for this scene button should be ON.
 - If any dimmers are not ON, press the top rocker to turn ON the dimmer.
 - If any lamp module's load is not ON, turn the lamp's ON/OFF switch ON.
 - If any appliance module's load is not ON, turn the load's ON/OFF switch ON. And, if necessary, turn ON the appliance module by pressing and holding the program switch until the indicator flashes red, then press (quickly tap) the program switch to toggle the appliance module ON. Press (quickly tap) the program switch two times to turn off the flashing red indicator.
 - If any controlled receptacle's load is not ON, turn the load's ON/OFF switch ON. And, if necessary, turn ON the controlled receptacle by pressing (quickly tapping) the program switch 9 times. The indicator will continuously flash blue, then press the program switch to toggle the controlled receptacle ON. Press (quickly tap) the program switch two times to turn off the flashing blue indicator.
- Go to the Tabletop Controller (or Deluxe Dimmer), press (quickly tap) button 4 seven times to store the 'All ON' levels. The modules and dimmers will turn off and back on indicating the level was stored.
- To test, press button 4 two times to turn off all modules and dimmers, then press (quickly tap) button 4 one time to turn on all modules and dimmers. Congratulations you have created a new scene! Button 3 is now available to edit for another scene and you can still turn all devices on/off with button 4.

Helpful Hint: The Tabletop Controller can inadvertently be placed in the program mode by tapping button 1 five times. The indicator above button 1 will continuously blink green for five minutes. To exit the programming mode, quickly tap the lamp module's program switch two times.



Section 4: Simple-n-Easy Expansion for SimplySmart™ Series. Fully Compatible. All Starter Kits and Accessories -- Dimmers, Tabletop Controllers, Controlled Receptacles, Lamp, Appliance and Fixture Modules, plus Scheduler-Timer.

Simply Automated Pre-Configured SimplySmart™ Series offers simple-n-easy expansion capability. Begin with the Dimmer or Lamp Starter Kit, add other starter kits, additional standard dimmers, additional Deluxe Dimmers with 4-buttons, additional modules, Tabletop Controllers with 4 or 8-buttons or any of the other pre-configured kits or accessories. All the pre-configured kits and accessories can be edited and added to scenes as previously described – only limitation being not more than one of each model number or kit number per installation. One touch button convenience to turn ON/OFF up to ten or more Simply Automated devices – custom scenes you create!

Dimmer Starter Kit

Includes 2 dimmers and deluxe dimmer with 4-button scene control (model: DKIT-01)



Lamp Starter Kit

Includes 2 lamp modules and tabletop controller with 4-buttons (model: DKIT-02)



Landscape Relay Starter Kit

Includes 2 relay modules and scheduler-timer (model: DKIT-05)



Landscape Dimmer Starter Kit

Includes 2 standard dimmers and scheduler-timer (model DKIT-06)



Lamp (Dimmer) Modules



UML7

UML8

Dimmers



US1W9

US1W10

Tabletop Controllers

(with 4-button, 4-button with LEDs or 8 –button scene control)



US2TP11

USQT22

US2O8TP23

Controlled Receptacles

(top outlet controlled, bottom outlet always on)



URD27

URD28

Deluxe Dimmer

(with 4-button scene control)



US2W12

US2W24



Getting Started Appliance (Relay) Module Accessory For Models UMA25 and UMA26

Important Note: only one of each pre-configured accessory model number can be ordered per home installation.

Add a Scheduler-Timer (model: [UCS-01](#)) to automatically turn ON/OFF indoor or outdoor security lighting. Or to create night time convenience pathway lighting. [Energy savings](#) dimming feature (from 10%, 20%, 30%, 40%, to 90% dimming levels). Random 'vacation mode' setting gives a home the lived in look. Built-in celestial clock computes sunrise and sunset. Calculates daylight savings time.

The Scheduler-Timer is easily and quickly programmed -- no PC connection is necessary. Just set the time, your location (using your zip code), the Network ID # (250), and you're ready to input on/off events using the ID # for each dimmer (each dimmer has a unique ID number). You can find the ID number on the front of each dimmer or the back of each module. For the Accessories (E.g. UML7, UMA25, US1W9, US2W12, etc...), the number digits at the end of the model number indicate the device ID#. For example the accessories listed above have device ID#s 7, 25, 9, and 12, respectively.



Section 5: In Case of a Problem

Phone: 760-431-2100 Ext. 138 Monday-Friday 8AM-5PM (Pacific Time) for assistance, or write Support@Simply-Automated.com.

Phase Coupler: Your home should be no more than 2500 square feet and have only one breaker panel. A phase coupler is required in some home installations; especially homes > 2500 square feet or homes with more than 1 breaker panel. If you have tested the buttons for each lamp module, but one or more of the lamp modules do not turn on, the circuits in your home may need phase coupling or phase alignment. All homes have a 240V feed to the main breaker panel box, where the 240V is separated into 120V in two phases, an A and B. You will need to install a phase coupler, or use dimmers and modules on one phase (align or move lighting circuits, at the breaker, that have these dimmers and modules to either phase A or B, not both) see http://simply-automated.com/products/cats/phase_couplers.php for options.

Model #	Description
ZPCI-P30A	Plug-In Inverting Phase Coupler, fits a standard (NEMA 10-30) 240VAC / 30 Amp clothes dryer type outlet
ZPCI-P50A	Plug-In Inverting Phase Coupler, fits a standard (NEMA 10-50) 240VAC / 50Amp clothes dryer type outlet
ZPCI-W	Wire-in Inverting Phase Coupler
ZPCI-B	Breaker Panel Inverting Phase Coupler

Network ID #: The default Network ID #setting for the Pre-Configured Series is **250**. This information is needed when using the Scheduler-Timer.



Section 6: Simply Automated Custom Expansion Series

Powerful Custom Expansion Capability – up to 250 devices – using your PC and

UPStart software! Devices include single rocker dimmers, deluxe dimmers with different faceplates (up to 8 buttons), lamp or appliance modules, tabletop pedestal with 8 buttons, wall receptacle, fixture relay, fixture dimmer or scheduler-timer. Control lighting and 120VAC appliances, heaters, fans, motors or pumps. Programmable dimming rates (1 second, 5 second, up to 4 hours). Energy saving countdown timer function. Lighting control for your entire home! Visit <http://www.simply-automated.com/products/products.php>

