



Getting Started

Deluxe Dimmer with 4-Button Scene Controller For Models US2W12 and US2W24



Model US2W12



Model US2W24

Simply Automated Pre-Configured SimplySmart™ Series

Utilizes SimplySmart™ technology to make installation a breeze.

No computer programming required!

Simple-n-easy, ready to use lighting control.





Simply Automated Pre-Configured SimplySmart™ Series

Utilizes SimplySmart™ technology to make installation a breeze.

No computer programming required! Simple-n-easy, ready to use lighting control.

IMPORTANT SAFETY INSTRUCTIONS

When using electrical products, basic safety precautions should always be followed, including the following:

1. READ AND FOLLOW ALL SAFETY INSTRUCTIONS.
2. Installation should be performed by a qualified electrician.
3. Keep away from water. If product comes into contact with water or other liquid, disconnect immediately.
4. Never use products that have been dropped or damaged.
5. Do not use this product outdoors.
6. Do not use this product for other than its intended use.
7. Do not connect multiple lamps that, when combined, exceed the maximum load rating of the product, de-rated for multi-gang boxes.
8. Do not install in areas that can exceed 120°F (e.g., in an attic).
9. To avoid the risk of overheating and possible damage to other equipment, do not use this product to control a receptacle.
10. Do not cover the product with any material when in use.
11. SAVE THESE INSTRUCTIONS.

Section 1: Very Important Pre-Installation Notes

- Simply Automated dimmers require both a neutral (white) and hot (black) connection.
- Do not use on a 3-way circuit (intended for installation on a circuit controlled by one switch/dimmer).
- Your home should be no more than 2500 square feet and have only one breaker panel. A phase coupler is required in some home installations; especially homes > 2500 square feet or homes with more than 1 breaker panel. See Section 5 for more information.
- Not intended for use in multi-dwelling (condo, apartments) buildings with 3-phase power.
- Do not reset to factory default configuration, pre-configured settings will be lost.
- [UPStart](#) software and a [computer interface module](#) or [Scheduler-Timer](#) can be used with a PC for customizing pre-configured units and checking performance.

Section 2: Installation of the Deluxe Dimmer with 4-Button Scene Controller

Find a light switch at a convenient location (i.e., front door or garage door entry) where you would like to use a scene controller and replace this switch with the Simply Automated Deluxe Dimmer with 4-buttons. To install the dimmer please refer to the User Guide enclosed in the dimmer product box, or see US2-40 User Guide at http://simply-automated.com/documents/452-0052-0101_RevD_US2-40_UserGuide_090512.pdf

All Simply Automated dimmers operate just like a regular dimmer. Test each Deluxe Dimmer to ensure it is properly installed. Press (tap) the top of the rocker to turn on the circuit. Press (tap) the bottom of the rocker to turn off the circuit.

The Deluxe Dimmer has been programmed from the factory to turn on at 100%. If you would like a different lighting level when the light is off, press and hold the top of the rocker until the desired level is achieved. If you would like a different lighting level when the light is on, press and hold the bottom of the rocker until the desired dim level is achieved, then release.

Important Note: If you are using compact florescent or non-dimmable florescent lighting, you should not attempt to change the dimming level. Most florescent lighting cannot be dimmed, can only be turned on at a 100% dim level.

Testing the dimmer using the 4-button scene controller. Button 3 of the Deluxe Dimmer with 4-buttons (and Tabletop Controller with 4- or 8-buttons) is programmed from the factory to turn on each device (dimmer, receptacle, lamp/appliance/fixture modules) at a 100% dim level. Button 4 is programmed from the factory to turn off each of these devices.

- Button 3 turns on/off each device (dimmers, receptacles or lamp/appliance/fixture modules): Press (tap) button 3 one time to turn on each device in your home, press and hold button 3 to dim lamp modules and dimmers, press (quickly tap) two times to turn off each device.
- Button 4 turns off each device (dimmers, receptacles or lamp/appliance/fixture modules): Press (tap) button 4 one time to turn off each device in your home.

Helpful Hint: Tapping should be done quickly ensuring contact is made from the button to the base sensor.

You will need to add devices (dimmers, receptacles or lamp/appliance/fixture modules) you have already installed in your home to button 1 and button 2 to create your own custom scenes. See Section 3 below or see Manual Scene Creation and Modification section in the US2-40 User Guide enclosed in the dimmer product box, or see http://simply-automated.com/documents/452-0052-0101_RevD_US2-40_UserGuide_090512.pdf for more details.

Important Note: Each device (dimmer or module) has a unique ID number. You can find the ID number on the front of each dimmer. The Deluxe Dimmer with 4-buttons has ID #12 (model US2W12) or ID#24 (model US2W24). This is important information to note as it relates to operation with the Scheduler-Timer accessory (sold separately).

Section 3: Editing Buttons (Scenes) on the Deluxe Dimmer with 4-Buttons

Each button on the Deluxe Dimmer with 4-Buttons controls a SCENE that can easily be edited from the factory pre-sets. You will need to add devices to buttons 1 and 2; button 3 turns all devices on/off, button 4 turns all devices off. You can change the dimming level or number of devices controlled by each button to create your own custom scenes!

Section 3.a. Adding a Device to a Scene Button

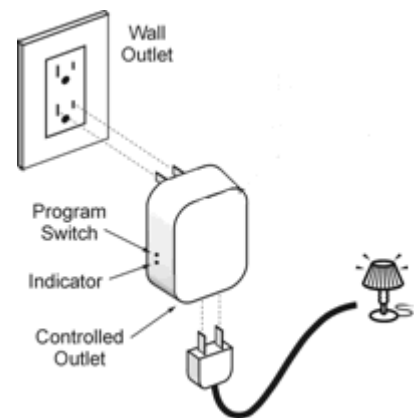
Button 1. Button 1 is pre-programmed from the factory to turn ON/OFF dimmers, receptacles, and lamp/appliance/fixture modules. To add one of these devices to button 1:

- Go to the Deluxe Dimmer with 4-buttons, press button 1 one time to activate the devices in the scene. Any devices you previously configured for this scene button should be ON. If a lamp in the scene is not lit, turn the lamp's ON/OFF switch ON.



CAUTION: When programming a module, do not insert any metal object (paperclip) into the module while it is connected to power.

- Go to the device to be added and turn it ON.
 - For dimmers, turn ON by pressing the top of the rocker.
 - For lamp modules, turn ON using the lamps on/off switch.
 - For appliance modules, press and hold the program switch (see illustration) using a non-metallic toothpick until the indicator flashes red. And then, press the program switch to toggle ON. Press and hold the program switch to stop flashing red indicator.
 - For receptacles and fixture modules, press (quickly tap) the program switch 9 times, the indicator will begin flashing. Then press the program switch to toggle ON. Press program switch two times quickly to stop indicator flashing.



- Go to the device to be added, press (quickly tap) the rocker or program switch (see illustration) 5 times to place in the program mode. For modules, use a non-metallic toothpick to press the program switch. The indicator will continuously blink green to confirm the module/dimmer is in the program mode.
- Go back to the Deluxe Dimmer with 4-buttons, press (quickly tap) button 1 seven times. Button 1 will now turn on/off the new devices and any other devices in the scene. Press (tap) button 1 one time to turn on the scene, press (tap quickly) button 1 two times to turn off the scene. You have created a new scene by programming the module/dimmer from the factory pre-set dimming level.

Helpful Hint: If tapping button 1 does not turn on a module, the lamp's switch or appliance's switch may be in the off position. Go to the lamp/appliance and turn on using the lamp's or appliance's ON/OFF switch, repeat the steps outlined above. Tapping should be done quickly ensuring contact is made from the button to the base sensor.

Button 2. To add a device or dimmer to button 2, follow the instructions outlined in Section 3.a., noting you will need to press (quickly tap) button 2 seven times to program the new scene.

Helpful Hint: After tapping 5 times modules and dimmers will stay in the program mode for approximately 5 minutes. You can always confirm if the module/dimmer is in the program mode by checking for a blinking green indicator. If the indicator is not flashing green, to place in the program mode, quickly tap the dimmer's top rocker or modules program switch five times. To exit the program mode, quickly tap the rocker or program switch two times.

Section 3.b. Deleting a Device from a Scene Button

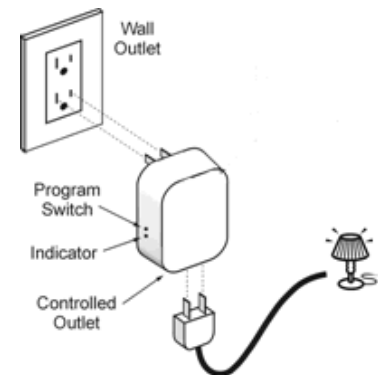
If you would like to edit a scene and delete a device (dimmer, receptacle or lamp/appliance/fixture) from any button:

- Go to receptacle or module, press (quickly tap) the program switch (see illustration) 5 times using a non-metallic toothpick to place in the program mode. For dimmers press (quickly tap) any button or rocker 5 times. The indicator will continuously blink green to confirm the module or dimmer is in the program mode.



CAUTION: When programming a module, do not insert any metal object (paperclip) into the module while it is connected to power.

- Go to the Deluxe Dimmer with 4-buttons, press (quickly tap) the button you would like to delete the module or dimmer from eight times.



Helpful Hint: If you press (tap) a button and the device you deleted still turns on, repeat the two steps outlined above. Tapping should be done quickly ensuring contact is made from the button to the base sensor.

Helpful Hint: You may add or delete as many devices as you like at one time by putting them in the program mode at the same time. Note when adding devices to a scene or changing dim level in a scene make sure the scene is activated first (i.e. press the button 1 time), before changing dimmer levels or adding a device.

Section 3.c. Adding or Editing Multiple Devices at the Same Time

You can add or edit multiple dimmers with custom dimming levels as well as multiple receptacles and lamp/appliance/fixture modules to each button at the same time. To add or edit the devices for buttons 1 or 2:

Important Note: If you are using compact florescent or non-dimmable florescent lighting, you should not attempt to change the dimming level. Most florescent lighting cannot be dimmed, can only be turned on at a 100% dim level.



Getting Started Deluxe Dimmer with 4-Button Scene Controller For Models US2W12 and US2W24

Button 1.

- Go to the Deluxe Dimmer with 4-buttons, press button 1 one time to activate the scene. If any other devices (i.e. dimmers or modules) were previously configured for button 1 make sure they are ON. If a lamp plugged into a lamp module in the scene is not on, turn the lamp's ON/OFF switch ON.
- Go to each dimmer you would like to add or edit, press and hold the top rocker to the desired dimming level. And, go to the other devices you would like to add or edit and turn them ON:
 - For lamp modules, turn ON using the lamps on/off switch.
 - For appliance modules, press and hold the program switch (see illustration above) using a non-metallic toothpick until the indicator flashes red. And then, press the program switch to toggle ON. Press and hold the program switch to stop flashing red indicator.
 - For receptacles and fixture modules, press (quickly tap) the program switch 9 times, the indicator will begin flashing. Then press the program switch again to toggle ON. Press program switch two times quickly to stop indicator flashing.
- For each of the dimmers (or modules) to be added to the scene, press (quickly tap) the top rocker of each dimmer (or program switch of each module) 5 times to place in the program mode. A green indicator light will flash above each dimmer rocker or next to the module's program switch (for 5 minutes or until programmed) to confirm the device is in the program mode.
- Go to the Deluxe Dimmer with 4-buttons, press (quickly tap) button 1 seven times. Button 1 will now turn ON/OFF all dimmers and modules you programmed to the dimming levels you selected. Press (tap) button 1 one time to turn ON the dimmers, press (quickly tap) two times to turn OFF dimmers. You have created a new scene!

Helpful Hint: Lamp modules can also be added and edited in the same way. However changing the dim level of the lamp module by pressing and holding a Deluxe Dimmer button may change the dim level of other devices in the scene. To set the dim level of one or more lamp modules, first adjust the lamp module (dim) level by pressing and holding the Deluxe Dimmer button 3 to the desired dim level for the lamp module. Once at the desired (dim) level unplug the lamp module. Then adjust the next lamp module in the same way, unplugging the module after achieving the desired level. When all lamp modules have been adjusted and are still unplugged, press the scene button to be edited to activate all devices that are in the scene and powered, then plug in the lamp modules. The lamp modules will resume at the dim level they were when unplugged. If any new dimmers or modules need to be added to the scene turn them ON to the desired level, then put them in program mode by tapping the program switch (or any button or rocker on a dimmer) 5 time, The indicator will flash green to confirm the dimmer/module is in program mode. With all the dim levels adjusted and new dimmers/modules to be added in the program mode, press (quickly tap) the Deluxe Dimmer's scene button 7 times to save the scene.

Important Note: If you program a dimmer (or lamp module) for a dimmable (incandescent or halogen) light bulb and later change to a compact florescent bulb that cannot be dimmed, press the scene button to activate the scene. Go to the dimmer, press and continue to hold the top rocker until the compact florescent light reaches its brightest level, approximately 10 seconds. Or for lamp modules, press and hold the scene button for 10 seconds. Then unplug the lamp module, press the scene button to be edited so all other devices are ON at their desired levels. Plug the lamp module back in, it should resume the 100% level you adjusted. Go back to the scene button to be edited, press the button you wish to re-program seven times.

Button 2. Follow the instructions outlined in Section 3.c. for Button 2, noting you will need to press (quickly tap) button 2 seven times to program the new scene.



Getting Started Deluxe Dimmer with 4-Button Scene Controller For Models US2W12 and US2W24

Important Note: Buttons 1 and 2 operate independently for the Deluxe Dimmer with 4-buttons and Tabletop Scene Controller Accessories (models USQT22, US2TP11 and US28OTP23) and the Tabletop Controller included with the Lamp Starter Kit ([model DKIT-02](#)) allowing one touch button control of more than 14 unique custom scenes. Create one scene for button 1 of the Tabletop Controller Accessory (model USQT22) and a second scene for button 1 of the Tabletop Controller from the Lamp Starter Kit (model DKIT-02). Create a third scene for button 2 of the Tabletop Controller Accessory (Model USQT22) and a fourth scene for button 2 of the Tabletop Controller from the Lamp Starter Kit (model DKIT-02). And, the 8-button Tabletop Controller (model US28OTP23) has 6 independent buttons (1, 2, 5, 6, 7 & 8) available for custom scene control.

Buttons 3 and 4. Button 3 is programmed from the factory to turn on all dimmers and modules at a 100% dim level. Button 4 is programmed from the factory to turn off all devices. **We do not recommend editing buttons 3 or 4 since the circuit controlled by the Deluxe Dimmer cannot be edited.** To edit these buttons and how they control the level of the Deluxe Dimmer, a computer interface module (or scheduler-timer) and UPStart software is required.

Helpful Hint: Before adding or editing a scene, be sure to first activate the scene (i.e. press the button of the scene to be edited) so all the dimmers are at their set level before making additions or adjustments. If a dimmer is in the scene and is not ON (i.e. 0% dim) that level will be saved when the button is tapped 7 times.

Helpful Hint: If you press (tap) a button and one of the dimmers you added does not turn on, repeat the steps outlined above. Tapping should be done quickly ensuring contact is made from the button to the base sensor.

Helpful Hint: After tapping five times, dimmer will stay in the program mode for approximately 5 minutes. You can always confirm if the dimmer is in the program mode by checking for a blinking green light above the rocker. If the dimmer is not flashing green, to place in the program mode, quickly tap the top rocker five times. To exit the program mode, quickly tap the top rocker two times.

Section 4: Simple-n-Easy Expansion for SimplySmart™ Series. Fully Compatible. All Starter Kits and Accessories -- Dimmers, Tabletop Controllers, Controlled Receptacles, Lamp, Appliance and Fixture Modules, plus Scheduler-Timer.

Simply Automated Pre-Configured SimplySmart™ Series offers simple-n-easy expansion capability. Begin with the Dimmer or Lamp Starter Kit, add other starter kits, additional standard dimmers, additional Deluxe Dimmers with 4-buttons, additional modules, Tabletop Controllers with 4 or 8-buttons or any of the other pre-configured kits or accessories. All the pre-configured kits and accessories can be edited and added to scenes as previously described – only limitation being not more than one of each model number or kit number per installation. One touch button convenience to turn ON/OFF up to ten or more Simply Automated devices – custom scenes you create!

Dimmer Starter Kit

Includes 2 dimmers and deluxe dimmer with 4-button scene controller (model: DKIT-01)



Lamp Starter Kit

Includes 2 lamp modules and tabletop controller with 4-button scene controller (model: DKIT-02)



Landscape Relay Starter Kit

Includes 2 relay modules and scheduler-timer (model: DKIT-05)



Landscape Dimmer Starter Kit

Includes 2 standard dimmers and scheduler-timer (model: DKIT-06)



Lamp (Dimmer) Modules



UML7 UML8

Appliance (Relay) Modules



UMA25 UMA26

Dimmers



US1W9 US1W10

Tabletop Controllers

(with 4-button, 4-button with LEDs or 8-button scene control)



US2TP11 USQT22 US28OTP23

Controlled Receptacles

(top outlet controlled, bottom outlet always on)



URD27 URD28

Deluxe Dimmer

(with 4-button scene control)



US2W12 US2W24

Important Note: only one of each pre-configured accessory model number can be ordered per home installation.

Add a Scheduler-Timer (model: [UCS-01](#)) to automatically turn ON/OFF indoor or outdoor security lighting. Or to create night time convenience pathway lighting. Energy savings dimming feature (from 10%, 20%, 30%, 40%, to 90% dimming levels). Random 'vacation mode' setting gives a home the 'lived in' look. Built-in celestial clock computes sunrise and sunset. Calculates daylight savings time.



Getting Started Deluxe Dimmer with 4-Button Scene Controller For Models US2W12 and US2W24



The Scheduler-Timer is easily and quickly programmed -- no PC connection is necessary. Just set the time, your location (using your zip code), the Network ID # (250), and you're ready to input on/off events using the device ID # for each dimmer (each dimmer and module has a unique device ID number). You can find the ID number on the front of each dimmer and on the back of each module. For the Accessories (E.g. UML7, UMA25, US1W9, US2W12, etc...), the number digits at the end of the model number indicate the device ID#. For example the accessories listed above have device ID#s 7, 25, 9, and 12, respectively.

Section 5: In Case of a Problem

Phone: 760-431-2100 Ext. 138 Monday-Friday 8AM-5PM (Pacific Time) for assistance, or write to Support@Simply-Automated.com.

Phase Coupler: Your home should be no more than 2500 square feet and have only one breaker panel. A phase coupler is required in some home installations; especially homes > 2500 square feet or homes with more than 1 breaker panel. If you have tested the buttons for each lamp module, but one or more of the lamp modules do not turn on, the circuits in your home may need phase coupling or phase alignment. All homes have a 240V feed to the main breaker panel box, where the 240V is separated into 120V in two phases, an A and B. You will need to install a phase coupler, or use dimmers and modules on one phase (align or move lighting circuits, at the breaker, that have these dimmers and modules to either phase A or B, not both) see http://simply-automated.com/products/cats/phase_couplers.php for options.

Model #	Description
ZPCI-P30A	Plug-In Inverting Phase Coupler, fits a standard (NEMA 10-30) 240VAC / 30 Amp clothes dryer type outlet
ZPCI-P50A	Plug-In Inverting Phase Coupler, fits a standard (NEMA 10-50) 240VAC / 50Amp clothes dryer type outlet
ZPCI-W	Wire-in Inverting Phase Coupler
ZPCI-B	Breaker Panel Inverting Phase Coupler

Installation Wiring Connection: The Pre-Configured SimplySmart™ Series requires both a hot (black) and neutral (white) wire for installation. If the switch you plan to replace has only one hot wire (no neutral), you will need to utilize a Fixture Dimming Module ([model: UFD-30](#)) from Simply Automated Custom Expansion Series, using [UPStart software](#), a PC and [Computer Interface Module \(model: UMC-USB\)](#). See Section 6.

3-Way or 4-Way Circuits: The dimmers for the Pre-Configured SimplySmart™ Series are intended for installation on a circuit controlled by one switch/dimmer. If you would like to install dimmers on a 3 or 4-way circuit, you will need to use one or more Dedicated Remote Switches ([model: USR1-40A-W](#)) or US1/US2 switches configured with [UPStart software](#), a PC and [Computer Interface Module \(model: UMC-USB\)](#). See Section 6.

Network ID #: The default Network ID #setting for the Pre-Configured Series is **250**. This information is needed when using the Scheduler-Timer.

Section 6: Simply Automated Custom Expansion Series

Powerful Custom Expansion Capability – up to 250 devices – using your PC and UPStart software! Devices include single rocker dimmers, deluxe dimmers with different faceplates (up to 8 buttons), lamp or appliance modules, tabletop pedestal with 8 buttons, wall receptacle, fixture relay, fixture dimmer or scheduler-timer. Control lighting and 120VAC appliances, heaters, fans, motors or pumps. Programmable dimming rates (1 second, 5 second, up to 4 hours). Energy saving countdown timer function. Lighting control for your entire home! Visit <http://www.simply-automated.com/products/index.html>

