

## Anywhere Switch

### Remote Lighting Control

- **Virtual Lighting Control**

The Anywhere Switch (US1-V0) is the starting point to remote virtual UPB lighting control allowing you turn on/off lights anywhere in your home.

- **Easy to Use**

- Press top/bottom of rocker to turn on/off all devices
- Blue-Green status LED on/off status display
- 900W maximum output, 1W minimum for LED fixtures
- No new wires, advanced powerline communication technology – transmits over 1 mile on a 14 gage wire circuit
- No traveler wires or batteries required

- **Professional Grade**

- Built-in thermal overload protection for added safety
- Patented heat sink design ensures cool operation and long life
- Replaces existing mechanical switch and uses same wires – white neutral wire connection required
- Controls incandescent, fluorescent, halogen, LED, magnetic and electronic low-voltage lighting transformers & ballasts

- **Powerful Easy to Install Expansion Capabilities**

Combine with **Anywhere 3-Way Switch Kits (V3WAY)** for 4-way virtual lighting control, turn on/off 3 different light circuits anywhere in your home – rear patio light + garage light from your front entry / living room light + hallway light from garage entry / front light + rear patio light from master bedroom. Endless possibilities...

Combine **Anywhere Switch (US1-V0)** with **Anywhere Multi-Rocker Switches (US2-V0)**, **Plug-In Appliance Relay Module (UMA-V0)**, **Wire-In Fixture Relay Module (UFR-V0)** or **Controlled Receptacle (URD-V0)** for virtual lighting and appliance control throughout your home. Allows you to turn on/off 1, 2, 3, 4, 5, or more lights or appliances anywhere in your home. Endless possibilities!

- **Optional Rocker Color Change Kits**

- Removable rockers for easy color change
- Gloss white, almond, light almond, ivory, black or brown.



Anywhere Switch  
Model: US1-V0

## DESCRIPTION

**Model US1-V0** Anywhere Switch includes one (1) high quality, professional grade (120VAC/60Hz), on/off switch with gloss white faceplate. Replaces existing mechanical switch and uses the existing switch wires (white neutral wire required) to provide remote lighting control - no traveler wires or batteries needed.

Has a 900 Watt maximum (1 Watt minimum) output circuit wire to control any light (or load) circuit. Pressing the top of the rocker turns on both devices (status LED shines green). Pressing the bottom of the rocker turns off both devices (status LED shines blue). Status LEDs tell if the remote light/load is on or off.

Up to four separate virtual control zones can be used in a home! Employs Simply Automated's advanced powerline communication technology. No radio frequency (RF) emissions, used in tens of thousands of homes.

The switches have a thermal overload protection mechanism that turn the switch off if it gets too hot, automatically turns back on after it cools.

Anywhere virtual switches and modules can also respond to multiple channels (1-4), for functions like "All On/Off". For more information go to [http://www.simply-automated.com/Anywhere\\_Virtual\\_3-way\\_Applications.php](http://www.simply-automated.com/Anywhere_Virtual_3-way_Applications.php)

# Anywhere Virtual Accessory Switch

Model: US1-V0

## SPECIFICATIONS

**Power:** 120VAC +/- 10%, 60Hz (GFI/AFI compatible)

**Load:** 1 W minimum, 900 W maximum, 7.5 Amps at 120VAC, per switch. \*See table for ganging & derating details.

**Output:** Triac output configured for On/Off control (default).

**Connections:** 6" stranded wires, #16 AWG for power & load

**Operating Temperature:** 30 to 120°F (0 to 50°C)

**Weight:** 4.4 Oz. (125g) Net, 6.6 Oz. (187g) Gross

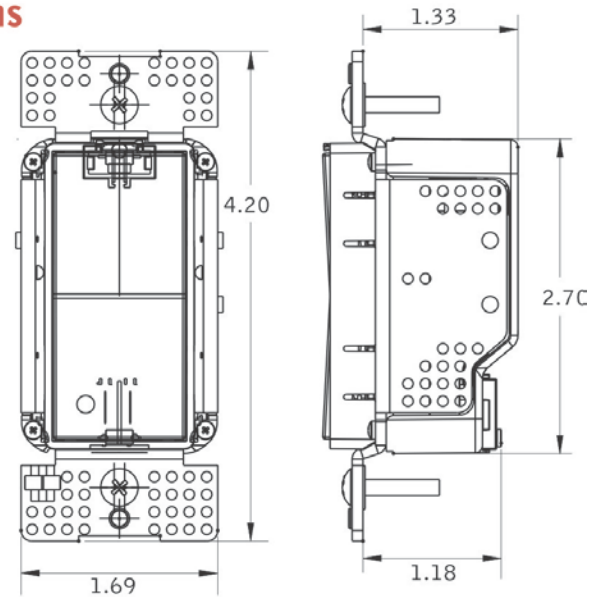
**Mounting:** Standard Junction Box

**Wiring:** Black; AC Line  
White; AC Neutral  
Brown; Load (to fixture)

**For Indoor (or weather protected) Use Only**

*Ganging & Derating	# of US1 switches in j-box			
	1	2	3	
# of j-box	1	600 W	--	--
Gangs	2	800 W	500 W	--
	3+	900 W	700 W	500 W

## Dimensions



## ORDERING INFORMATION

### Models:

US1-V0; Anywhere 1-Rocker Virtual Switch, White  
US2-V02; Anywhere 2-Rocker Virtual Switch, White  
US2-V03; Anywhere 3-Rocker Virtual Switch, White  
US2-V04; Anywhere 4-Rocker Virtual Switch, White  
UMA-V0; Anywhere Virtual Plug-In Relay Module  
UFR-V0; Anywhere Virtual Wire-In Relay Module  
URD-V0-\*\*; Anywhere Virtual Receptacle Outlet  
\*\* Specify receptacle color: "A" Almond, "I" Ivory, "LA" Light Almond & "W" White

### Accessory Models:

ZS11-\*; Color Change Kit, (1) 1-Rocker Faceplate  
ZS22-\*; Color Change Kit, (1) 2-Rocker Faceplate  
ZS23-\*; Color Change Kit, (1) 3-Rocker Faceplate  
ZS24-\*; Color Change Kit, (1) 4-Rocker Faceplate  
\* Specify faceplate color: "A" Almond, "BK" Black, "BN" Brown, "I" Ivory, "LA" Light Almond & "W" White  
V3WAY-A; Anywhere Virtual 3-Way Switch Kit (2, 1 rockers)  
V3WAY-B; Anywhere Virtual 3-Way Switch Kit (1 & 2 rockers)  
UCS-V0; Anywhere Scheduler-Timer Controller

## Anywhere Virtual Accessory Switch (US1-V0 & US2-V0) - Circuit Requirements

- Hot and neutral (black and white wire) power connections are required at switch locations.
- Controls incandescent, fluorescent, halogen, LED, magnetic and electronic low-voltage lighting transformers & ballasts (1 Watt Min., 900 Watts Max.). Ballasts for 120VAC Metal-halide or Mercury/Sodium fixtures may need to be isolated (see model: ZNF10A). Controls 120VAC/60Hz motors up to 7.5 Amps Max.
- Up to 4 separate virtual control zones can be used in a home, using the 4 available communication channels. Optionally, use Scheduler-Timer (model UCS) to expand, add secondary receive channel for 'All On/Off'.
- Installation of switches and devices should be on the same circuit (breaker) for maximum communication distance. If switches are on different circuits, they should be on the same phase power for maximum communication distance, i.e., both switches on phase A, or phase B circuit breakers (phase alignment).
- If using both phase A and B circuits, and the home has more than 1 breaker panel or is more than 2500 sq. ft, a phase coupler is recommended for optimum performance, (see model ZPCI).
- Not intended for use in 3-phase (commercial/condo) applications unless the switches are on the same breaker or phase.

The Anywhere Series is not compatible with any of Simply Automated's PC-Configured, Pre-Configured, Simply Smart™, or other UPB or UPStart configured products.



Simply Automated, Incorporated

6108 Avenida Encinas, Suite B, Carlsbad, CA 92011

760-431-2100 / 800-630-9234

[www.Simply-Automated.com](http://www.Simply-Automated.com)

Email: [sales@simply-automated.com](mailto:sales@simply-automated.com)

Tech Support: [upbhelp@simply-automated.com](mailto:upbhelp@simply-automated.com)